



**NOVA**  
SUPPLY

# PUERTAS DE DESPLAZAMIENTO



Miami:  
(786) 354 4229  
2224 SW 57Th CT. Coral Terrace FL 33155

✉ [info@novasupplyrd.com](mailto:info@novasupplyrd.com)  
🌐 [www.novasupplyrd.com](http://www.novasupplyrd.com)

# External High-speed Door

The automatic PVC high-speed rolling door under the control of automatic sensor is able to fast, flexibly, and noiselessly open and close along with the entry and exit of staff and various vehicles. The curtain of industrial base cloth that has been specially treated can not only effectively resist wind, dust, moisture, damp, and insects and keep the operating space clean, but also reduce cross-ventilation caused by temperature difference between the operating space and the outside to the largest extent, save energy, and create an ideal operating space.



## Technical Performance of Product Structure



- **Main body case**  
In the structure of high-quality cold-rolled steel plate or stainless steel, and coated with electrostatic epoxy resin.
- **Sliding chute**  
In the structure of high-quality cold-rolled steel plate or stainless steel, and coated with electrostatic epoxy resin.
- **Curtain cloth**  
French Sioen high-density industrial base cloth, 0.8mm thick, multiple colors available, including yellow, blue, orange, and fully transparent; the cloth is in unique fine-mesh fiber structure which achieves better air permeability.





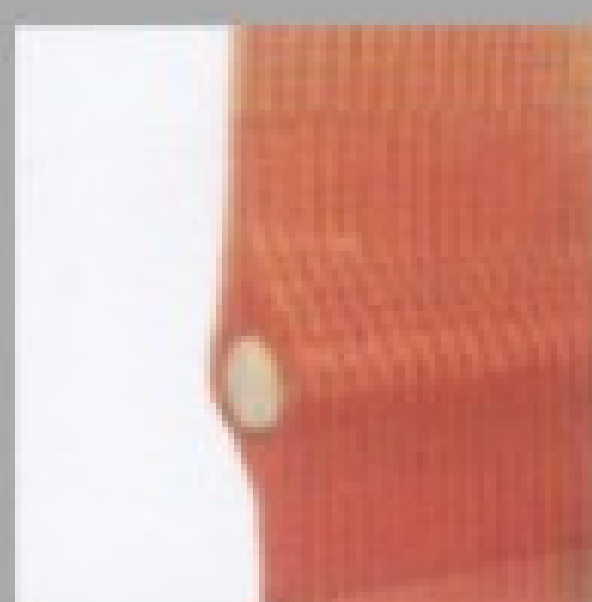
- **Transparent window**  
Fully-transparent soft PVC sheet made in Japan, 1.2mm thick, rectangle and oval available, increasing safety, light transmission, and aesthetic feeling.
- **Sealing performance**  
The elastic PVC base cloth installed at the bottom can closely fit various uneven floors, and buffer material is filled inside to improve its durability. Hair brushes of high sealing performance are mounted to the door posts on both sides to reduce noise and improve sealing effect.
- **Safety performance**  
Manual rocker is available for opening and closing the door easily in case of power outage, making the door safer and more convenient.
- **Power performance**  
High-frequency motor made in and imported from Europe, single phase ~220V, 50Hz, IP55, 0.55–3.0KW, equipped with efficient low-noise change gear of the new generation.



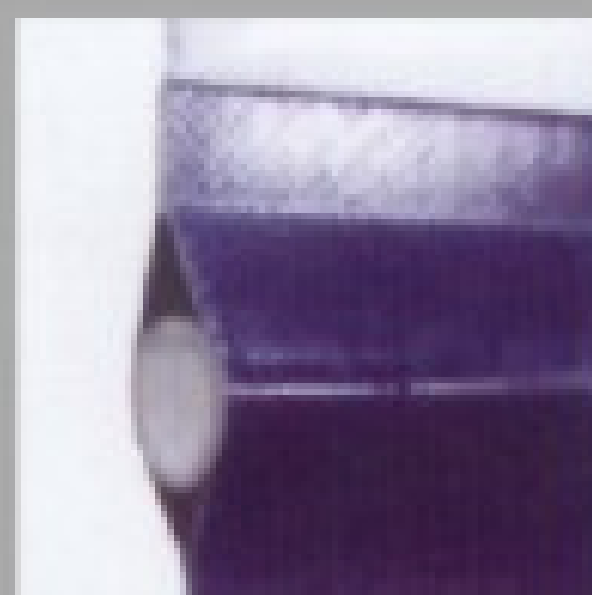
# Strap-type High-speed Door



**Aluminum-alloy wind-resistant strip:**  
Sectional door curtain, reducing maintenance cost



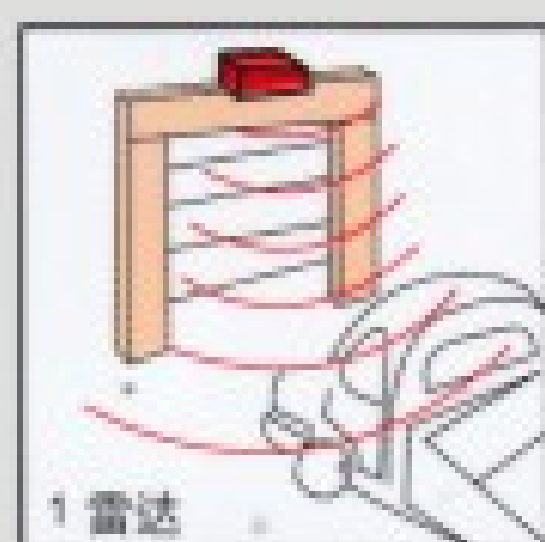
**Fiberglass wind-resistant strip:**  
High-elasticity wind-resistant strip, not easy to deform



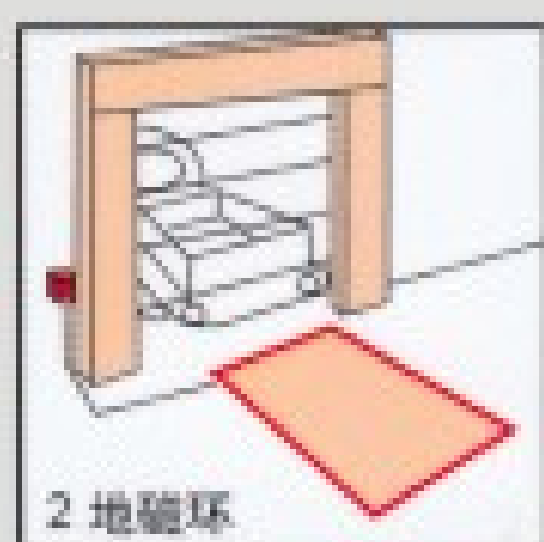
**Round steel-tube wind-resistant strip:**  
High-strength steel tube, able to resist strong wind



- **Allowable frequency**  
120 times/hour, twice/min.
- **Wind-resistant coefficient**  
12Kg/m for drum-type automatic high-speed rolling door, and 60Kg/m for strap stacking-type automatic high-speed rolling door
- **Optional accessories**  
Earth magnetism sensing system, radar sensing system, remote control switch, window, airbag, variable-frequency control system, multi-door linkage control system, crash barrier, pull-cord switch, signal lamp



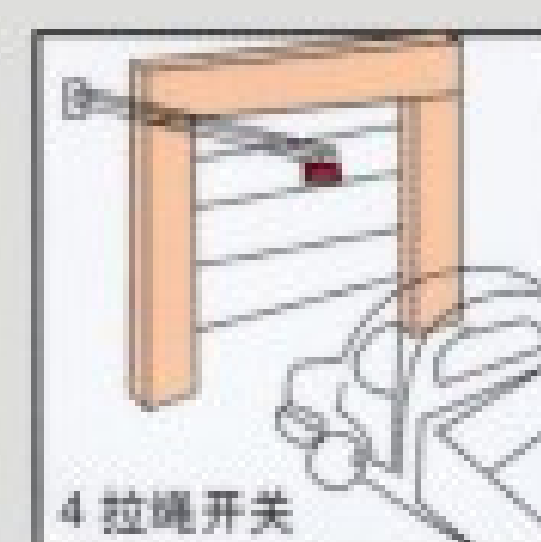
1 雷达  
1. Radar



2 地磁环  
2. Earth magnetic ring



3 电子或气感开关式按钮  
3. Electronic or air sensor switch or button



4 拉绳开关  
4. Pull-cord switch



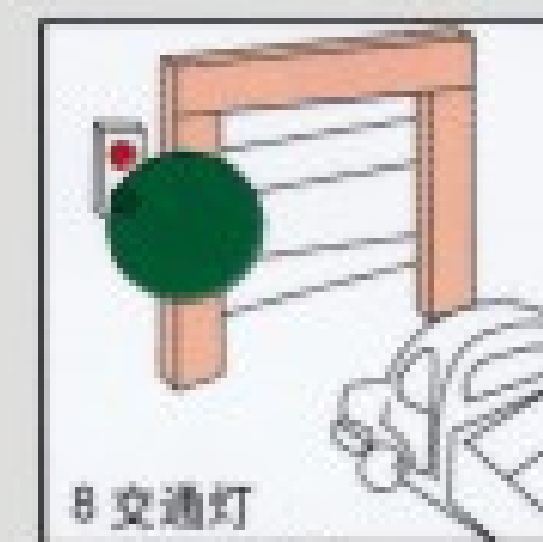
5 控制器按钮  
5. Controller button



6 红外线电眼  
6. Infrared electric eye



7 闪烁灯  
7. Flash lamp



8 交通灯  
8. Traffic light

## Zipper high speed door (built-in motor)



Zipper high speed door (built-in motor) specially designed for logistics channel in the narrow space, the built-in type motor installed do not take up space, meet the needs of special, Curtains made of lighter fabric and aluminum wind rib, speed is fast, safe and reliable, convenient come in and go out, insect-resistant, dustproof. Hit to the curtain, can automatically repair, save time and material. Application place: channel door, light industry, food, electronic, pharmaceutical, warehousing, packaging, printing, chemical industry.

### Product Features:

- **High efficiency:**the technology can ensure quick opening and closing door, running smoothly; And ensure the door a slow start and slow stop,thus greatly extend the life of the motor.
- **Airtight:**adopt the most advanced technology of the door track in order to realize high sealing,to reduce heat loss and the maximum energy saving,discard the traditional brush seal system at the same time,the close combination of curtain zipper and the guide rail,eliminate the generation of cracks,the design on the true meaning on seal, put an end to the air convection.
- **Clean:**traditional brush seal,easy to wear and produce dust,often need to change,and the most advanced rail technology of the door,door curtain zipper and guide the combination of precise,reduce wear and realization in the true sense of the air clean.
- **Security:**a.active safety light curtain,b.passive airbags,c.self-repair function:when the door is hit,no manual operation,the derailment automatic repair,can make the door maintenance costs and downtime to a minimum.

# Automatic Doors

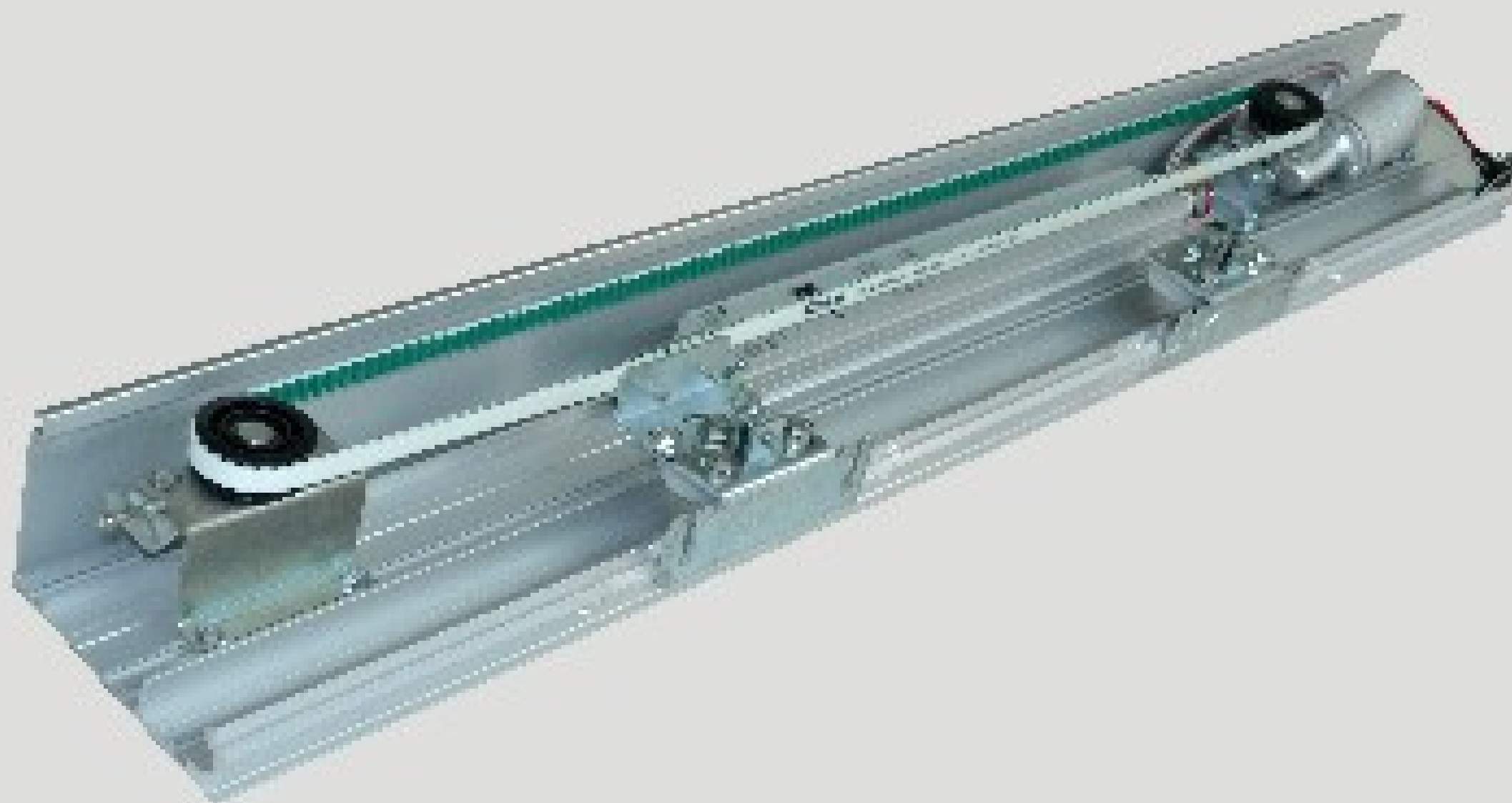
## © Automatic Sliding Door Unit DC-159



### ■ Product Features

The digital intelligent control system is stable, simple and convenient to adjust, and of good anti-interference performance. It is configured with double chips to coordinate operation and the built-in automatic calibration algorithm and protection programs, making the door move in a steadier manner. The humanized human-computer interaction interface adopts the mode of touch control for input, and the operator is able to set programs just by simple press. Nixie tubes are used for display, which is easy to understand and convenient to adjust precisely.

The intelligent control system can be networked with a computer to realize online monitoring. It has a built-in remote receiving module and interlocking function. The brushless motor is made with German worm and gear technology, with high efficiency, large torque, and long service life. It is equipped with unique electronic lock.



### ■ Technical Parameters

Door leaf & opening: Single-leaf unidirectional, double-leaf bidirectional

Door weight: Max. weight of single-leaf door  $\leq 100\text{Kg}$   
Max. weight of double-leaf door  $\leq 200\text{Kg}$

Clear opening width: 1,000–3,000mm

Opening speed: 100–500mm/s (adjustable)

Closing speed: 100–500mm/s

Slowly moving speed: 30–100mm/s

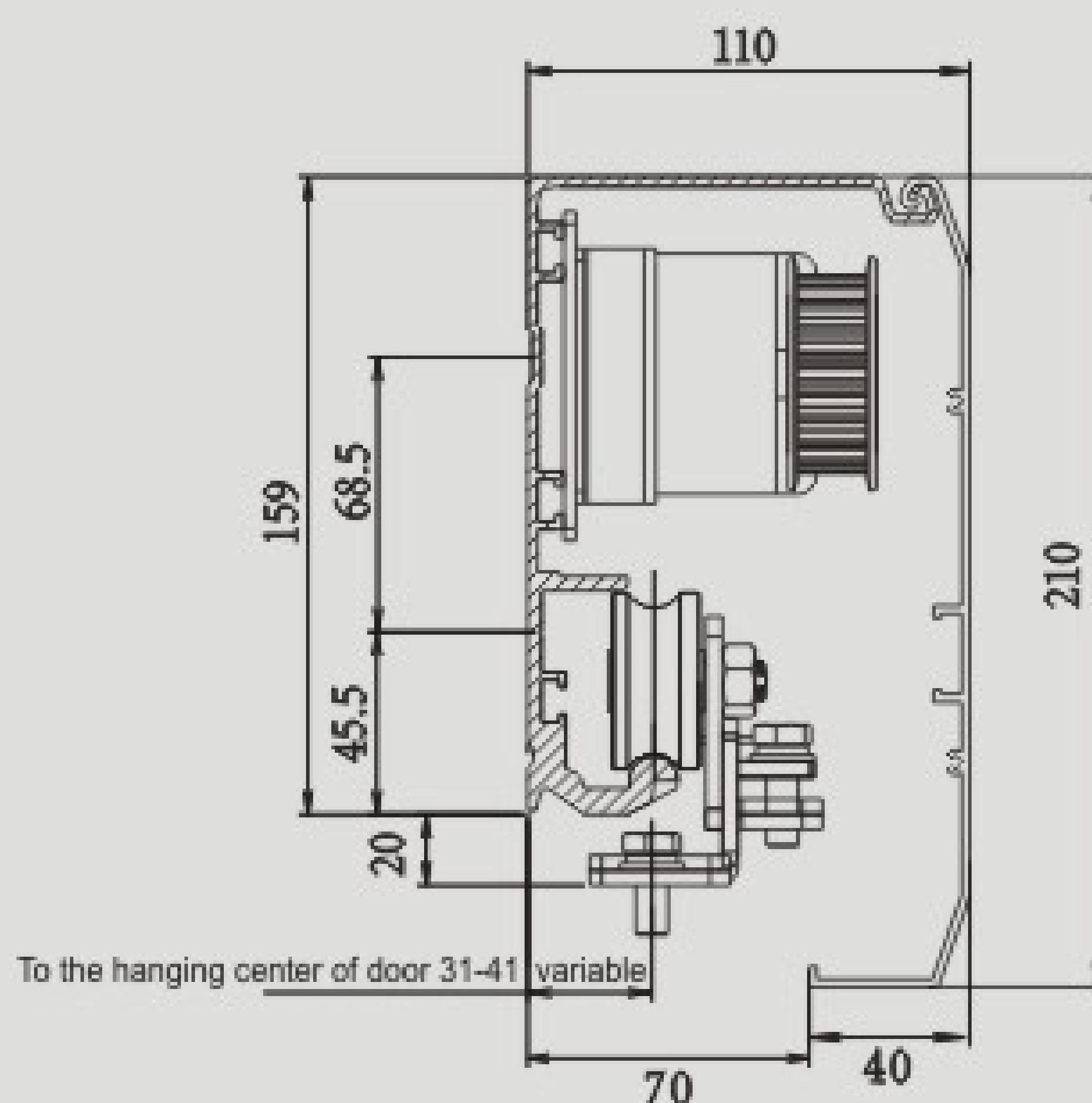
Opening time: 1–10s

Movement noise:  $\leq 55\text{db}$

Operating ambient temperature:  $-20^{\circ}\text{C} - 50^{\circ}\text{C}$

Power voltage:  $\sim 220\text{V} \pm 10\%$ , 50–60Hz

Rated power: 80W



© Automatic Sliding Door Unit DC-128



■ Product Features

The dynamic beam made of aluminum alloy sections is of reasonable and reliable transmission structure and available for use more than one million times.

The door body is made of stainless steel, color-coated steel plate, 12mm tempered glass, etc. to fit in with different situations.

The movable door runs steadily.

The product applies to such places as factories, hospitals, hotels, banks, office buildings, and so on.

■ Technical Parameters

Door leaf & opening: Single-leaf unidirectional, double-leaf bidirectional

Door weight: Max. weight of single-leaf door  $\leq 100\text{Kg}$

Max. weight of double-leaf door  $\leq 200\text{Kg}$

Door leaf opening width: 600–1,500mm/single leaf

Opening speed: 100–500mm/s

Closing speed: 100–500mm/s

Slowly moving speed: 30–100mm/s

Opening time: 0–9s

Operating ambient temperature:  $-25^{\circ}\text{C} - +50^{\circ}\text{C}$

Power voltage:  $\sim 220\text{V} \pm 10\%$ , 50–60Hz

Rated power: 60W

© Automatic Overlapping Door Unit



■ Product Features

On the premise of not increasing the width of door opening, the automatic overlapping door achieves the access width 1.5 times greater than that of a common sliding door.

The product is applicable for places needing large channels, e.g., automobile exhibition halls, airports, shopping malls, etc.

■ Technical Parameters

**Clear opening width**

Four-leaf bilaterally-opening sliding door: 1,200mm–4,000mm

Double-leaf bilaterally-opening sliding door: 1,200mm–4,000mm

**Headroom**

Channel headroom: Max. recommended height: 2,500mm

**Max. door weight**

Four-leaf bilaterally-opening sliding door: 4x100kg

Double-leaf bilaterally-opening sliding door: 2x100kg

**Opening speed**

Four-leaf bilaterally-opening sliding door: 0.5m/s

Double-leaf bilaterally-opening sliding door: 0.5/1.5s

**Wiring data**

Power voltage:  $\sim 220\text{V} \pm 10\%$ , 50/60Hz

Current: 0.6A

Power: 80W

Waiting power: 14W



**Series for Operation Room**



## External-hung Air-tight Door



## Built-in Air-tight Door



### ■ Product Features

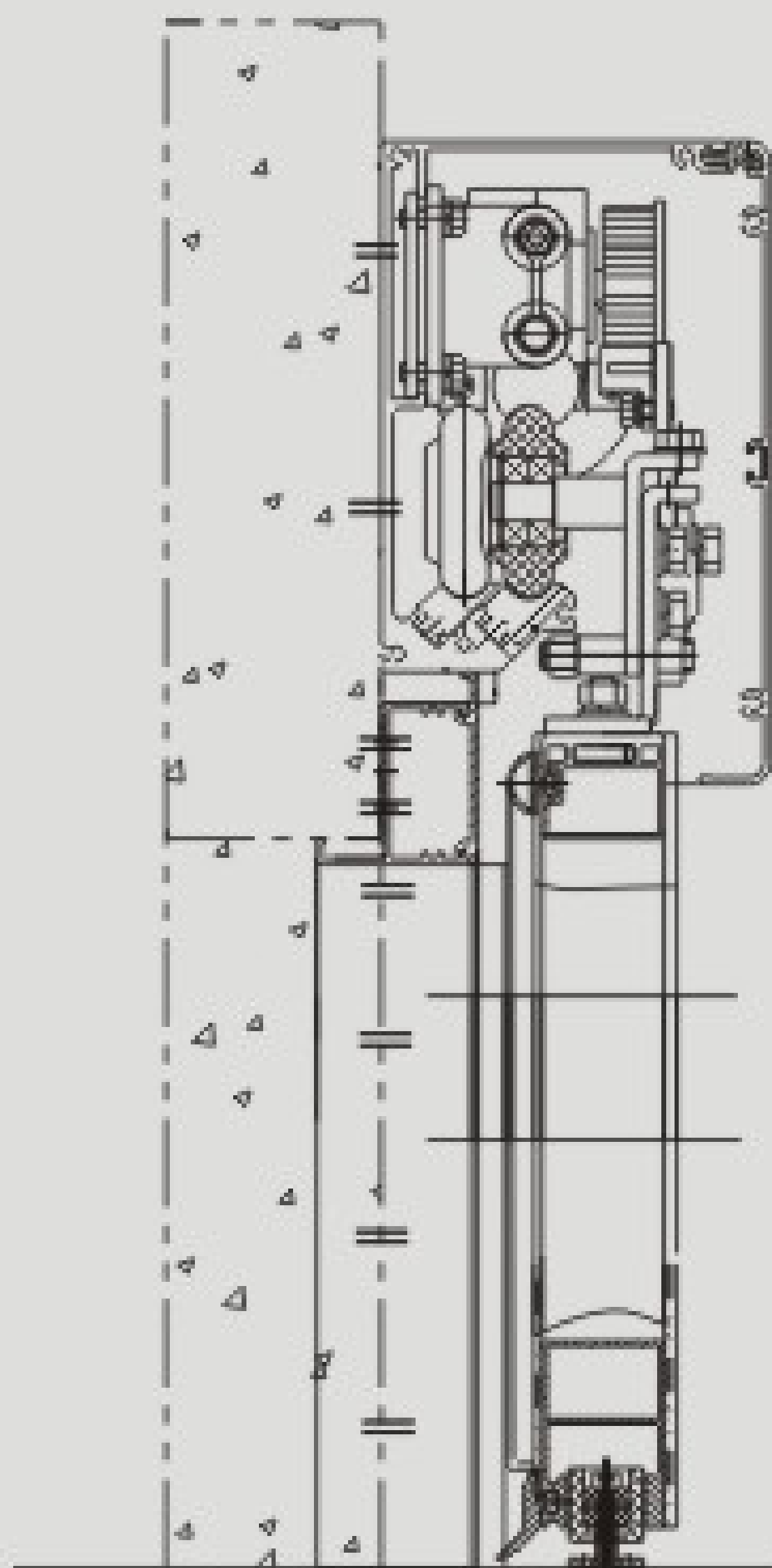
The dynamic beam is made of aluminum alloy sections. The grooves at corresponding positions of guide pulley and guide rail and the groove at the bottom of movable door are coordinated with the small round columns: when the movable door leaf is closed and moves to the grooves, the door body will be compacted, depending on its own weight, with the rubber strips around it and on the sides, as well as the flat rubber gasket at the bottom, making itself properly fit door frame and floor and ensuring the sealing requirement for air-tight door. The entire structure is reasonable and reliable and available for use up to one million times.

The door body is in paper honeycomb structure inside and finished with large-plane stainless steel plate or aluminum on the surface, and multiple colors are available for powder coating. The dynamic beam is externally hung and mounted and kept in the same plane with wall, looking more aesthetic and giving a feeling of integrity. Sealing strips are installed around to meet the sanitary requirement of hospital. The independently innovative installation technology that adopts big pillars to support the door body fairly well solves the potential load-bearing hazard of current various wall materials, saves users' cost, improves cost performance, and promotes the efficiency and quality of installation.

The dedicated controller and foot sensor switch are of excellent performance. The automatic door can be opened or closed by medical personnel just through stretching foot into the switch box, and manual switch is also available for operation. The unique design of handle lowers the opening force in case of power failure.

### ■ Technical Parameters

- Door leaf weight: Max. 150Kg
- Door leaf width: 1,070mm–1,570mm
- Clearance width: 2,350–3,350mm
- Opening speed: 250mm–550mm/s (adjustable)
- Closing speed: 250mm–450mm/s (adjustable)
- Opening time: 1–10s (adjustable)
- Closing force: > 70N
- Manual thrust: < 100N
- Power consumption of entire unit: < 150W
- Power voltage: ~220V±10%, 50Hz



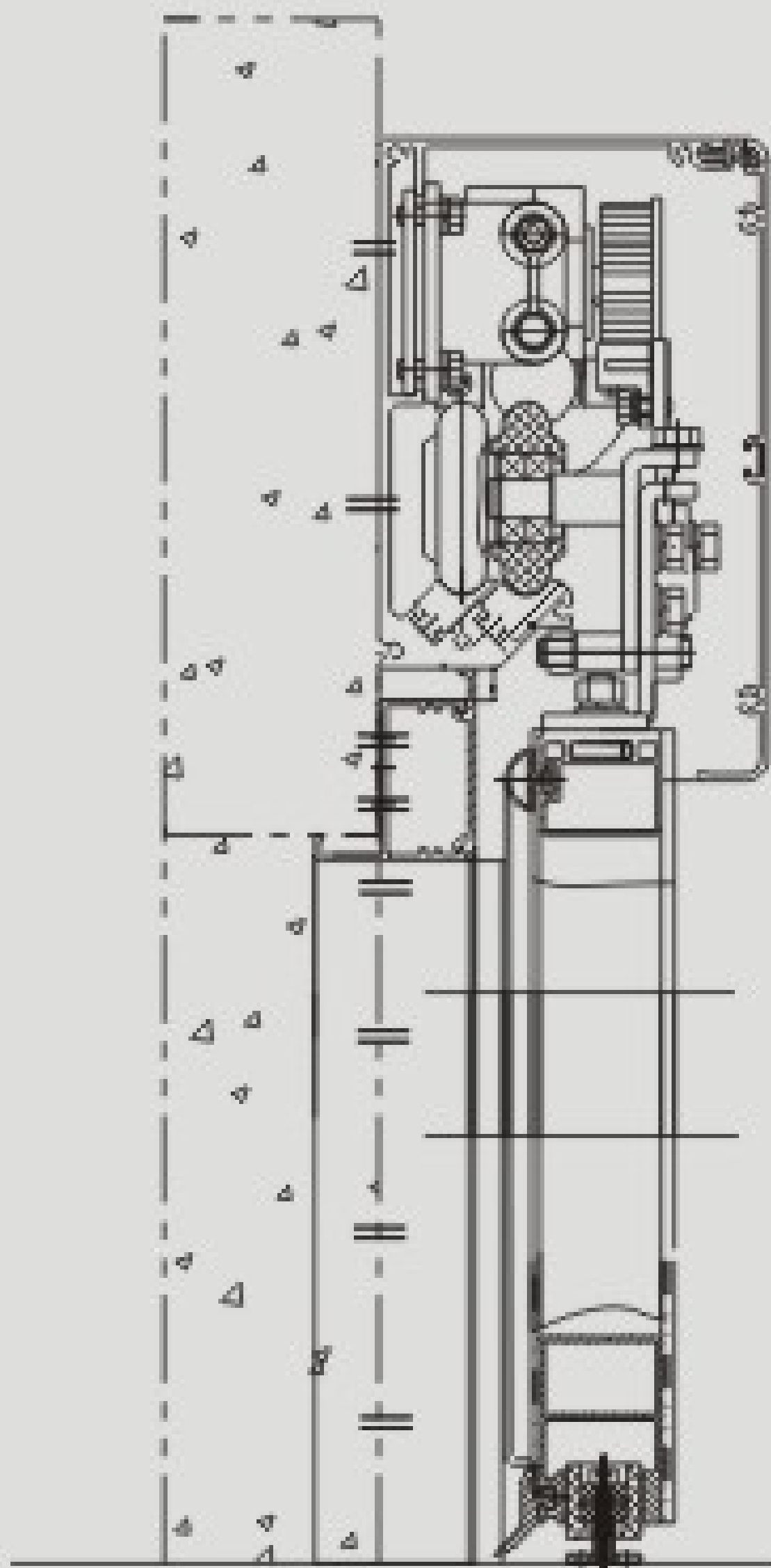
Structure Diagram

# Radiation-proof Door



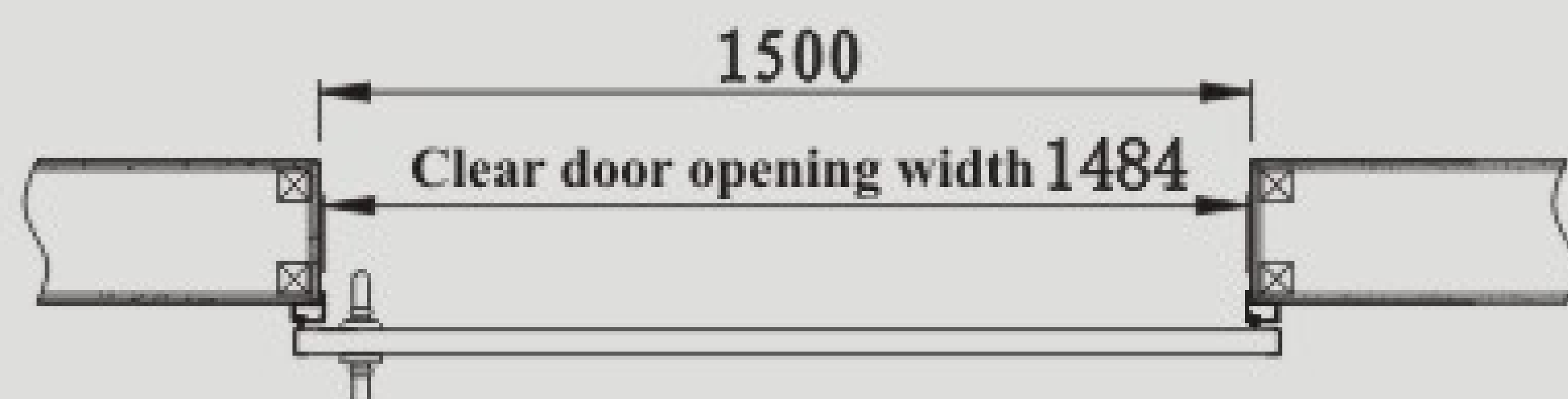
## ■ Technical Parameters

- Opening speed: 200mm–500mm/s (adjustable)
- Closing speed: 200mm–500mm/s (adjustable)
- Opening time: 1–9s (adjustable)
- Closing force:  $> 70\text{N}$
- Manual thrust:  $< 100\text{N}$
- Power consumption of entire unit:  $< 150\text{W}$
- Power voltage:  $\sim 220\text{V} \pm 10\%$ , 50Hz



## ■ Product Features

The lead plate as lining contains lead equivalent of 1–2mmPa and is able to shield X-ray and prevent human body from being harmed by leaking harmful rays. The product has passed the medical monitoring of radiation protection and nuclear safety carried out by the Chinese Center for Disease Control and Prevention and meets the requirement for diagnosis X-ray protection. The door body is mounted with sealing strips to comply with the sanitary requirement of places like hospitals. Designed according to the requirement for the safety of medical power system, the control system employs multiple control modes as required by hospital and doesn't form electromagnetic interference with other equipment in the same environment. The automatic sliding door can be used as carrier.



# Automatic Doors

☉ Manual Side-hung Door (Single-leaf)    ☉ Manual Unequal Double Door    ☉ Manual Side-hung Door (Double-leaf)



## ■ Product Features

The professionally shaped and designed doors with diversified forms satisfy different individual demands of customers and apply to wards, dirty places, auxiliary rooms, workplaces, and so forth.

The edges of door opening are covered in multiple forms and equipped with high-strength wear-resistant sealing strips to meet purifying requirement. The door body can be produced with the technology of aluminum-alloy frame plus environment-friendly padding or paper honeycomb padding and steel; the bottom of door body can be equipped with sunk-type sealing brush strip.

Many accessories like lock, door closer, and floor spring can be provided as required by the customer.

The product is manufactured with fine workmanship, which ensures product quality from material to manufacturing process and hardware fitting and greatly prolongs product's service life.

The high-quality hardware fitting is aesthetic and reliable for use.

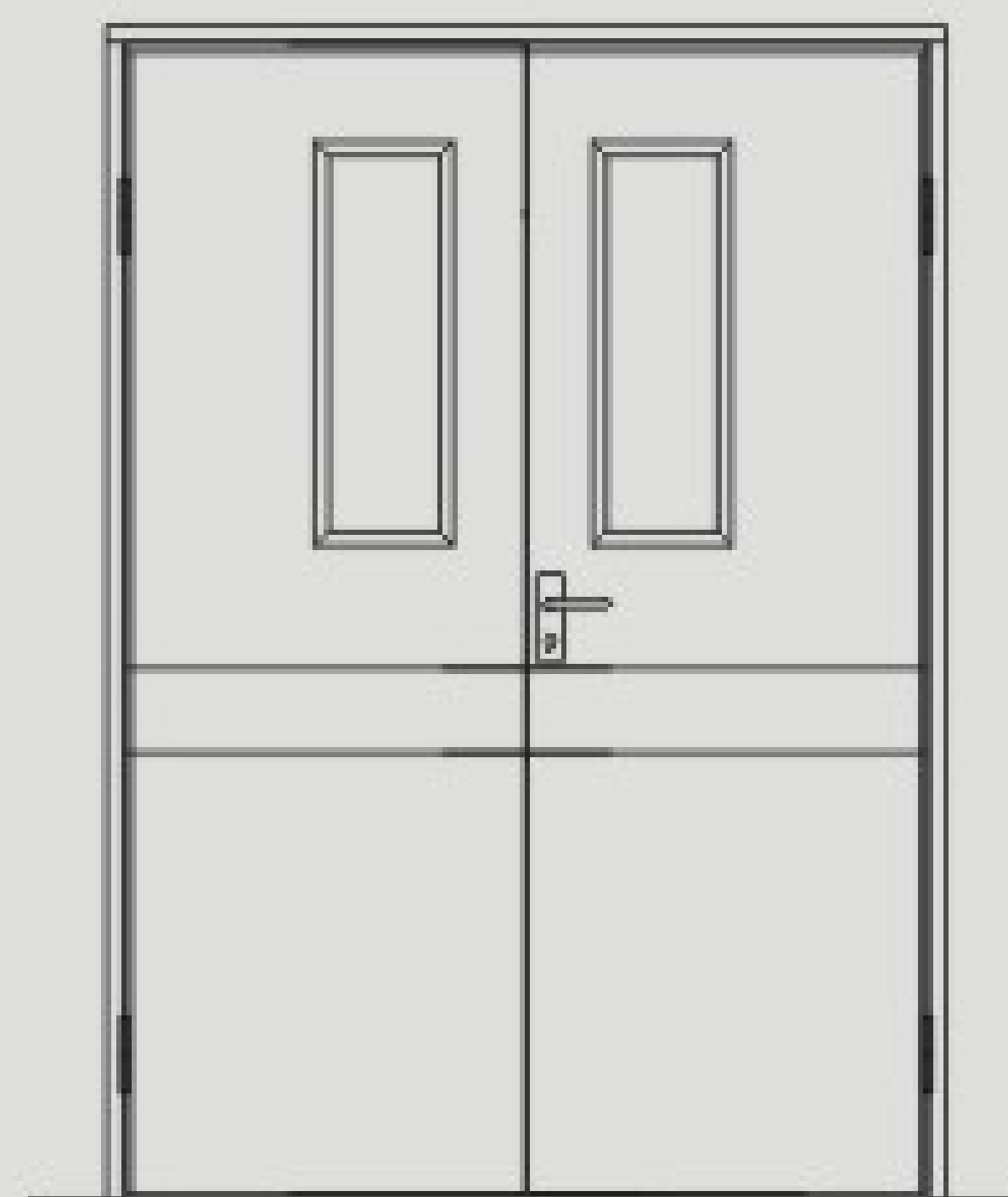
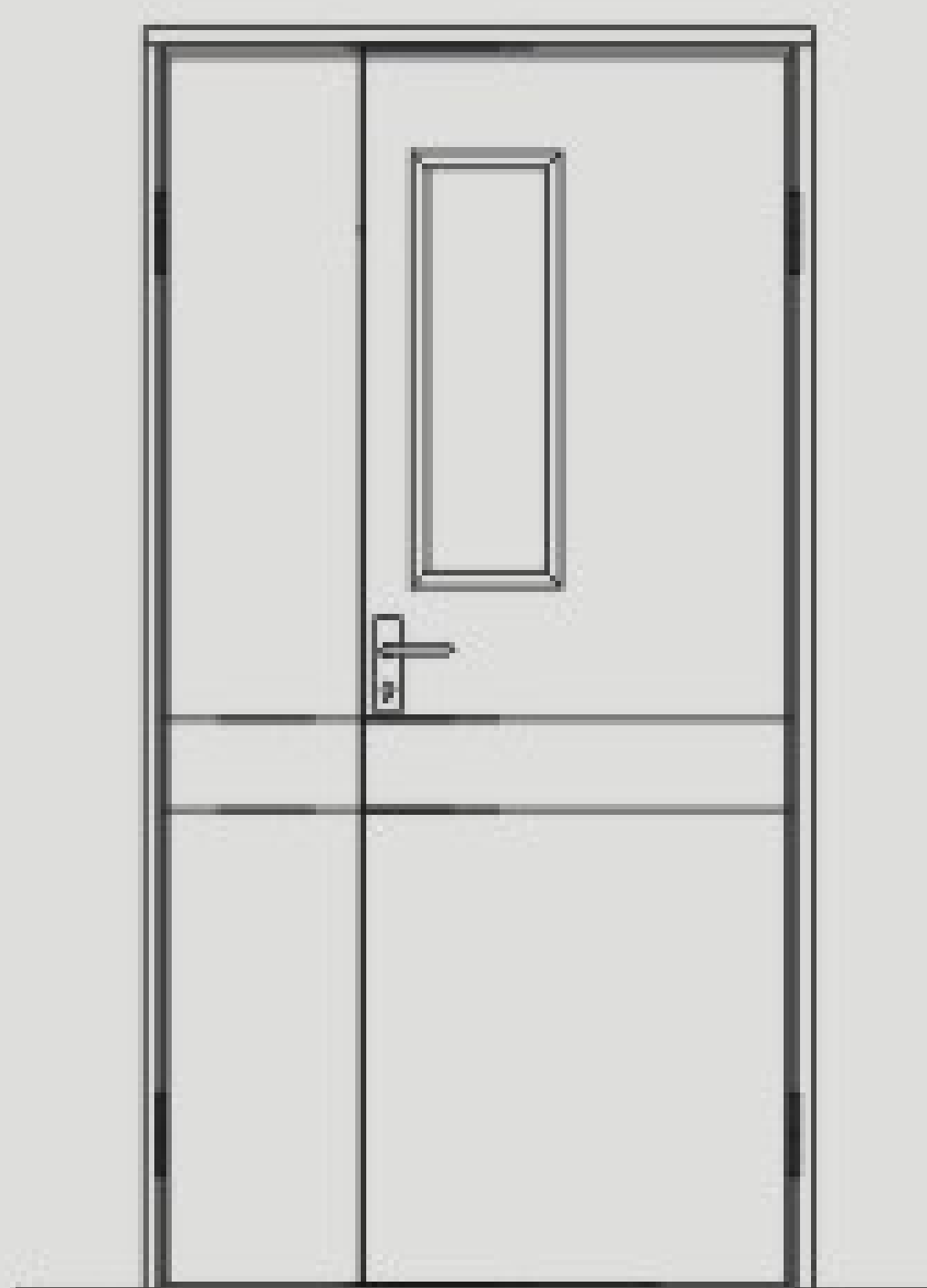
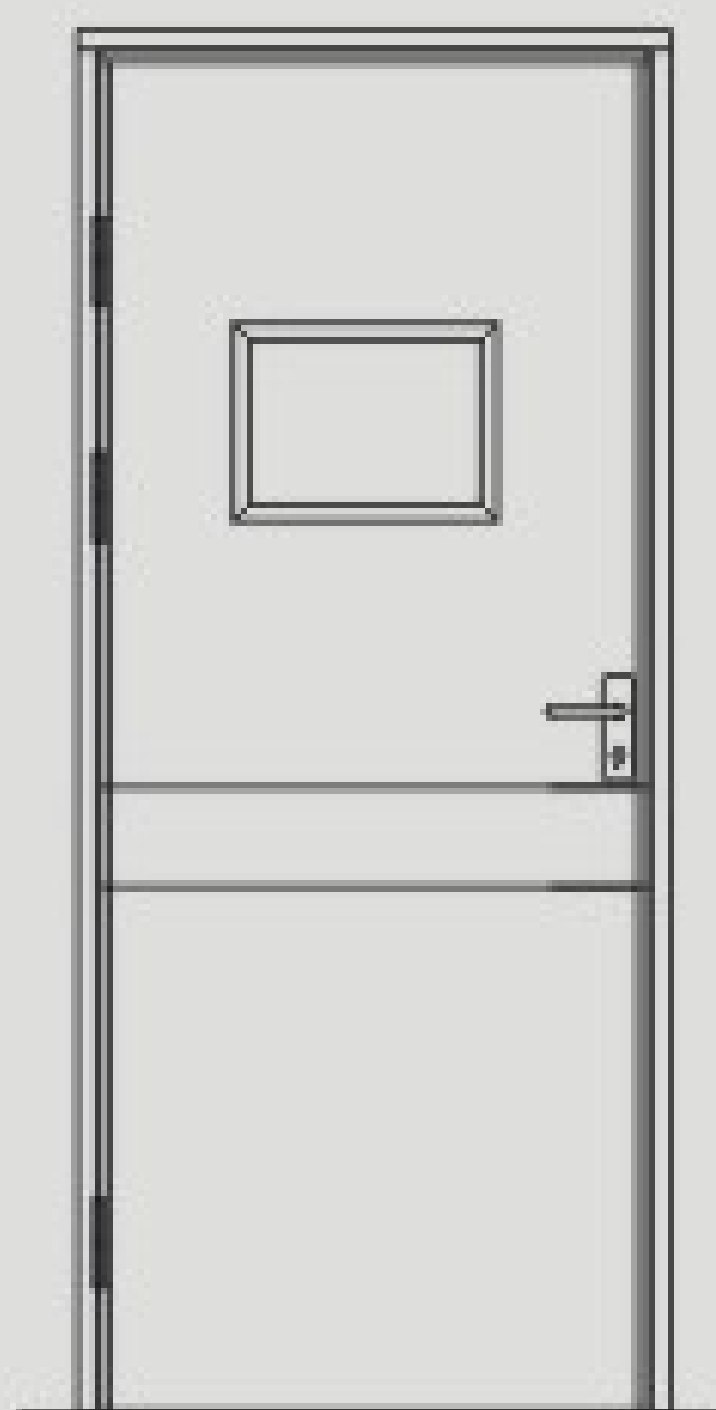
## ■ Technical Parameters

Door body weight: Max. 150Kg

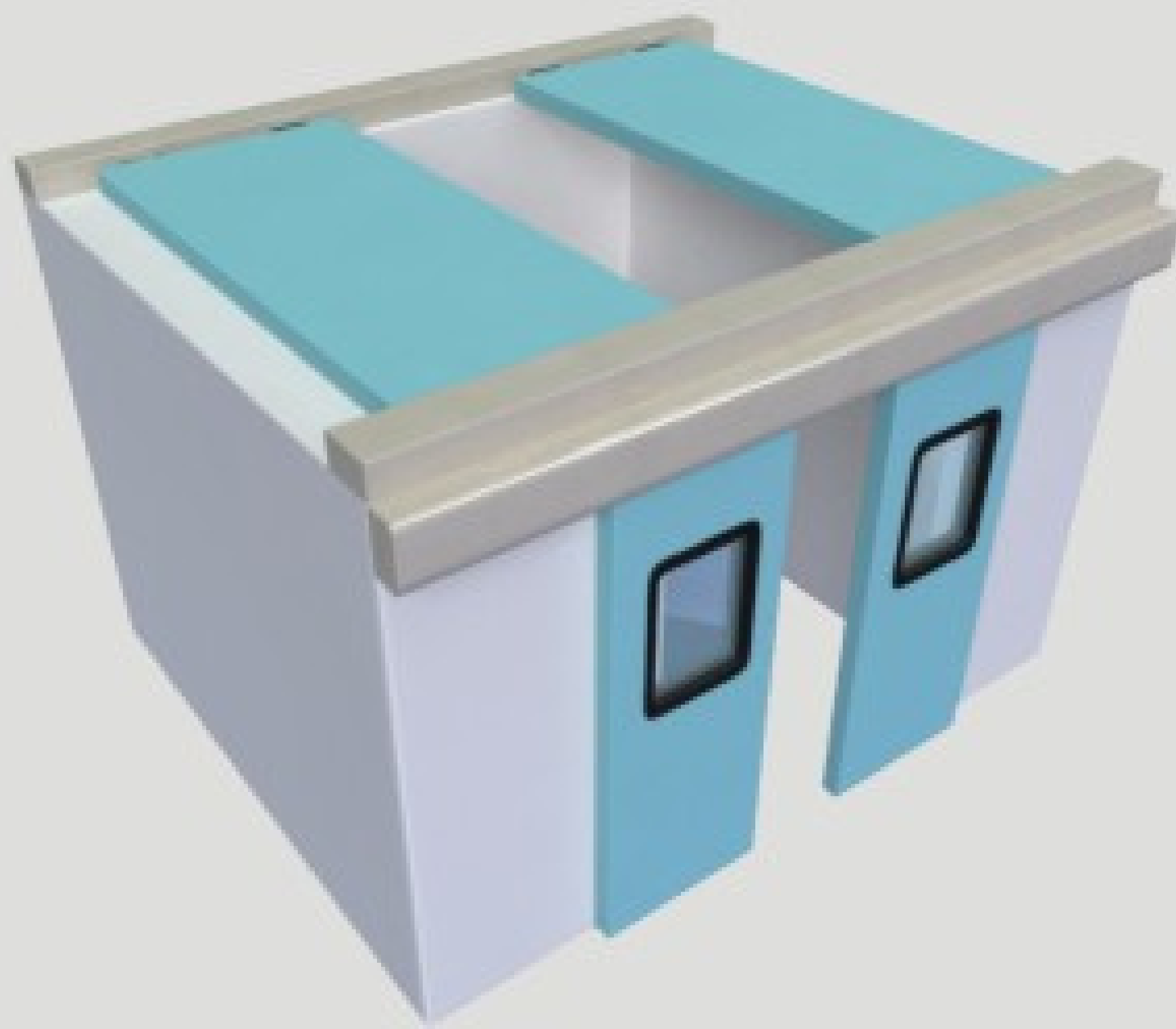
Door body width: 600mm–1,500mm

Door body height: Standard height  
2,100mm

Opening angle: 0°–110°



# Automatic Door for Courtyard



## Product Features

The slide track is made of aluminum alloy and used in places subject to straight reciprocating motion. It can bear a rated load higher than a linear bearing, sustain a certain torque, and realize high-precision straight motion under a high load.

## Technical Parameters

Door leaf & opening: Single-leaf unidirectional, double-leaf bidirectional

Door weight: Max. weight of single-leaf door  $\leq$  100Kg  
Max. weight of double-leaf door  $\leq$  200Kg

Opening speed: 100–500mm/s

Closing speed: 100–500mm/s

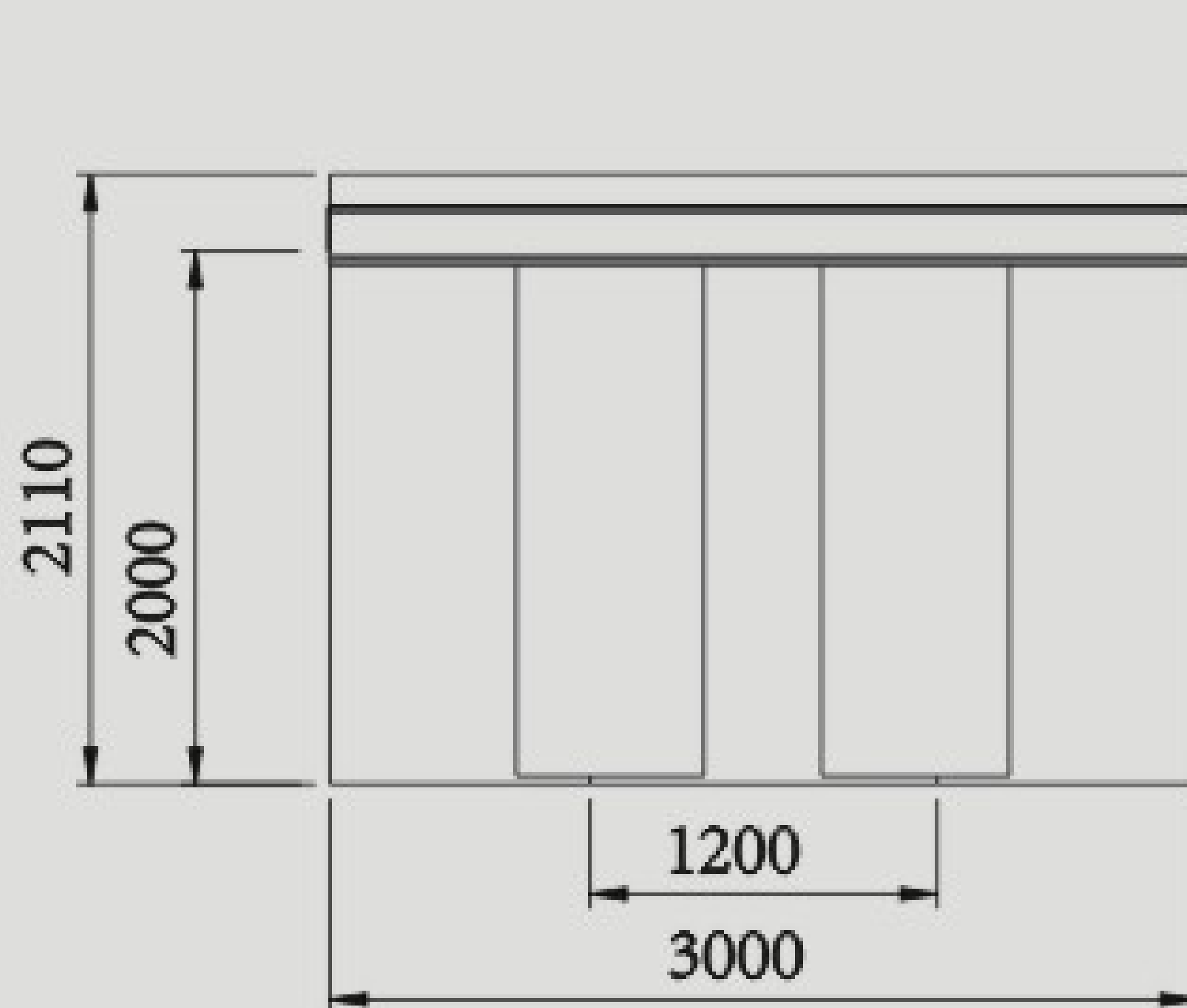
Slowly moving speed: 30–100mm/s

Opening time: 0–9s

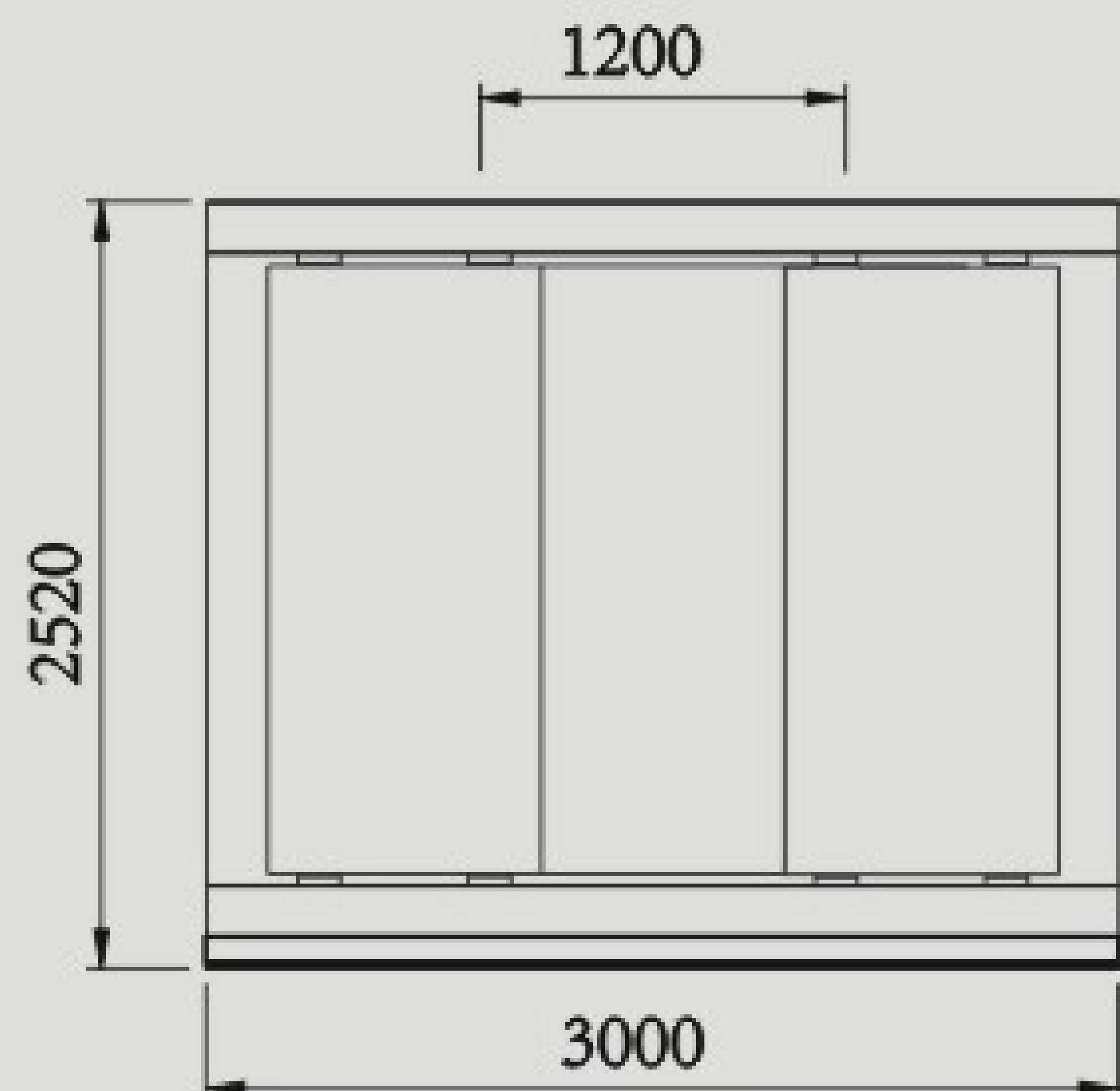
Power voltage:  $\sim$ 220V $\pm$ 10%, 50–60Hz

Rated power: 60W

Operating ambient temperature: -20°C - +50°C



Front View



Top View

# Automatic Folding Door

## Product Features

The product achieves the most sufficient space utilization in places of limited access space.

The door body sections and the dynamic beam are equipped with sealing strips to meet the needs of places including hospitals, nursing stations, cleaning manufacturers, etc.

Multiple control modes are available for different customer requirements, such as infrared/radar sensor, access control, etc.

The door works in a relatively steady way.

The door body is composed of aluminum-alloy frame and inlaid large-plane glass, which promotes day lighting and improves transparency.

## Technical Parameters

Opening form of door: 4-leaf type

Allowable opening width of door: 800mm–2,000mm

Door leaf weight: Max. 37.5kg for single leaf

Door height: Standard height 2,000mm–2,200mm

Opening angle 90°: adjustable

Closing angle 90°: adjustable

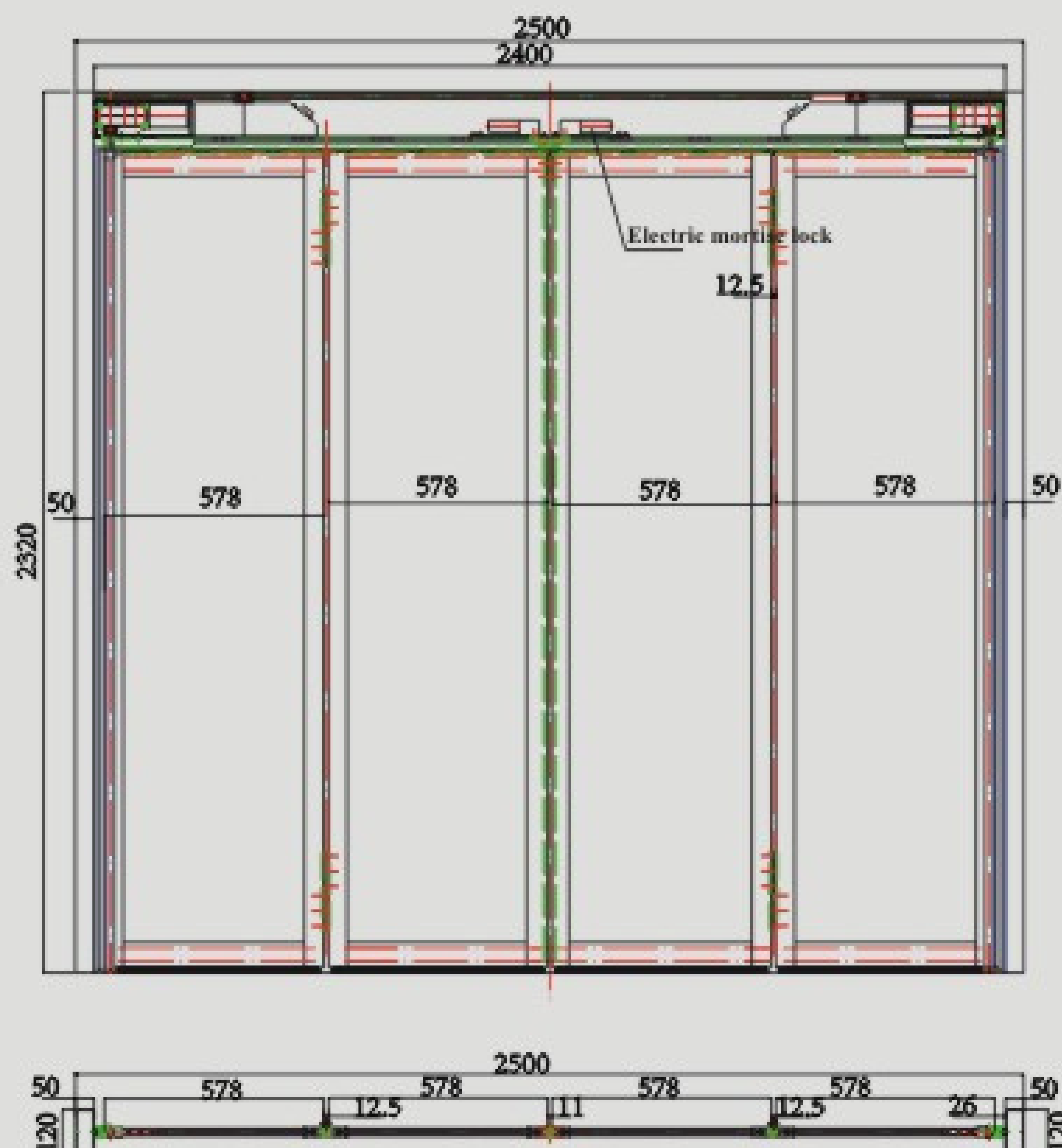
Opening time: 2–20s (adjustable)

Opening stop time: 1–20s after being still (adjustable)

Noise: < 50dB

Power consumption of entire unit: < 30W

Power voltage: ~220V±10%, 50Hz



## Automatic Side-hung Door



### ■ Product Features

The door unit adopts microcomputer chip that can only control the opening and closing of door body. The opening angle can be set at will.

The door body is hung to the wall and convenient to install.

Multiple control modes are available for different customer requirements, such as infrared/radar sensor, access control, etc.

The door body is made of high-strength aluminum-alloy frame and lined with high-quality environment-friendly padding.

The sealing strips around door frame work together with the sunk-type sealing strips at the bottoms of door leaves to fully meet the sanitary requirement of places like hospitals, nursing stations, clean projects, etc.

### ■ Technical Parameters

Opening angle:  $0^{\circ}$ – $110^{\circ}$

Door leaf weight: Max. 150Kg

Opening running time  $90^{\circ}$ : 2s–4s

Closing running time  $90^{\circ}$ : 2s–4s

Opening time: 1–20s (adjustable)

Manual thrust (power failure):  $< 30\text{N}$

Power consumption of entire unit:  $< 50\text{W}$

Power voltage:  $\sim 220\text{V} \pm 10\%$ , 50Hz



# Automatic Escape Door

When there is a natural disaster (i.e., fire, earthquake, etc.) in a large public building like airport, station, and so on, or when large opening degree is required due to large cargo access, the maximum transportation corridor can be opened.



Width open-type 90° while the door is fully opened



Preventing the door frame from deforming while width is rotating

Opening/closing mode		Ordinary		
Product designation		SK-730i	SK-730	SK-330
Max. application range	Door leaf weight kg * quantity	120*2	120*2	150*2
	Door leaf width (mm)	450~1200	450~1200	
	Aspect ratio of door leaf	max.3.5	max.3.5	max.3.5
Reference	12mm tempered glass door (mm)	1200*2400	1200*2400	
	8mm tempered glass door (mm)	1200*2400	1200*2400	
Average opening/closing speed		0.45m/sec		
Power voltage		~220V ± 10% 50Hz		

When the door is closed



Ordinary automatic sliding door



When the door is fully opened



In case of power failure in an accident, the door can be manually opened along its width towards the escape direction for the convenience of evacuation.

The door can be gradually restored to the original state to easily realize the operating condition at ordinary times.

# Free Door



## Product Features

1. SUS304 stainless steel plate is adopted as the surface of door body, and PU or wood board is employed as the core material. Both are composited and stuck together with PU glue and fixed by a pressing machine for 12 hours to make them an integral impact-resistant door plank.
2. The periphery of door is mounted with rubber sealing strips that are convenient to replace.
3. The double-leaf door is equipped with two sets of eccentric hinges fully made of stainless steel casting.
4. 5mm PE rubber-plastic collision-proof boards are installed on both sides at the lower part of door body. The height of board is 0.6m, and the width depends on the dimensions of door plank.
5. Organic glass window is provided in the middle of door leaf (400\*400\*5mm).
6. 20mm and 40mm are optional for the overall thickness of door plank.
7. The outline border of door frame is made of 1.0mm-thick SUS304 C-type stainless steel plate, and the inner frame is made of 2mm-thick 10 "C" steel sections and fixed to the door frame with M8\*100 iron expansion screws. All hardware fittings are made of stainless steel.

## Technical Parameters

Dimensions of door opening: Max. 3,000\*3,000 (mm)

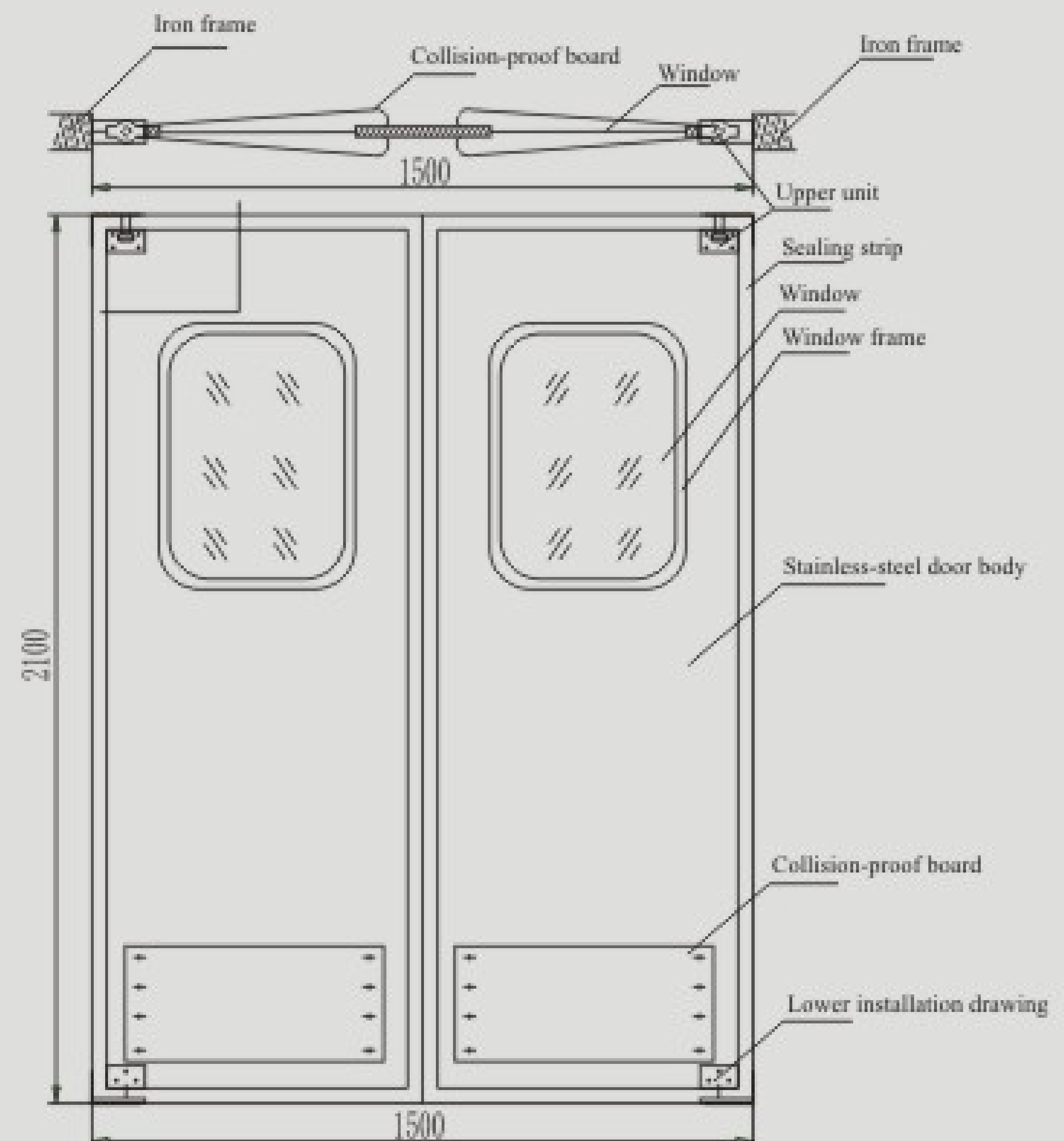
Door leaf mode: Single-leaf, double-leaf

Door leaf material: Stainless steel, color-coated steel plate, etc.

Service life: 100 thousand times

All the materials used are safe, healthful, clean, and consistent with the requirements of foods industry.

For more information or extra-large size or special requirements, please consult us.





## Semi-automatic Door

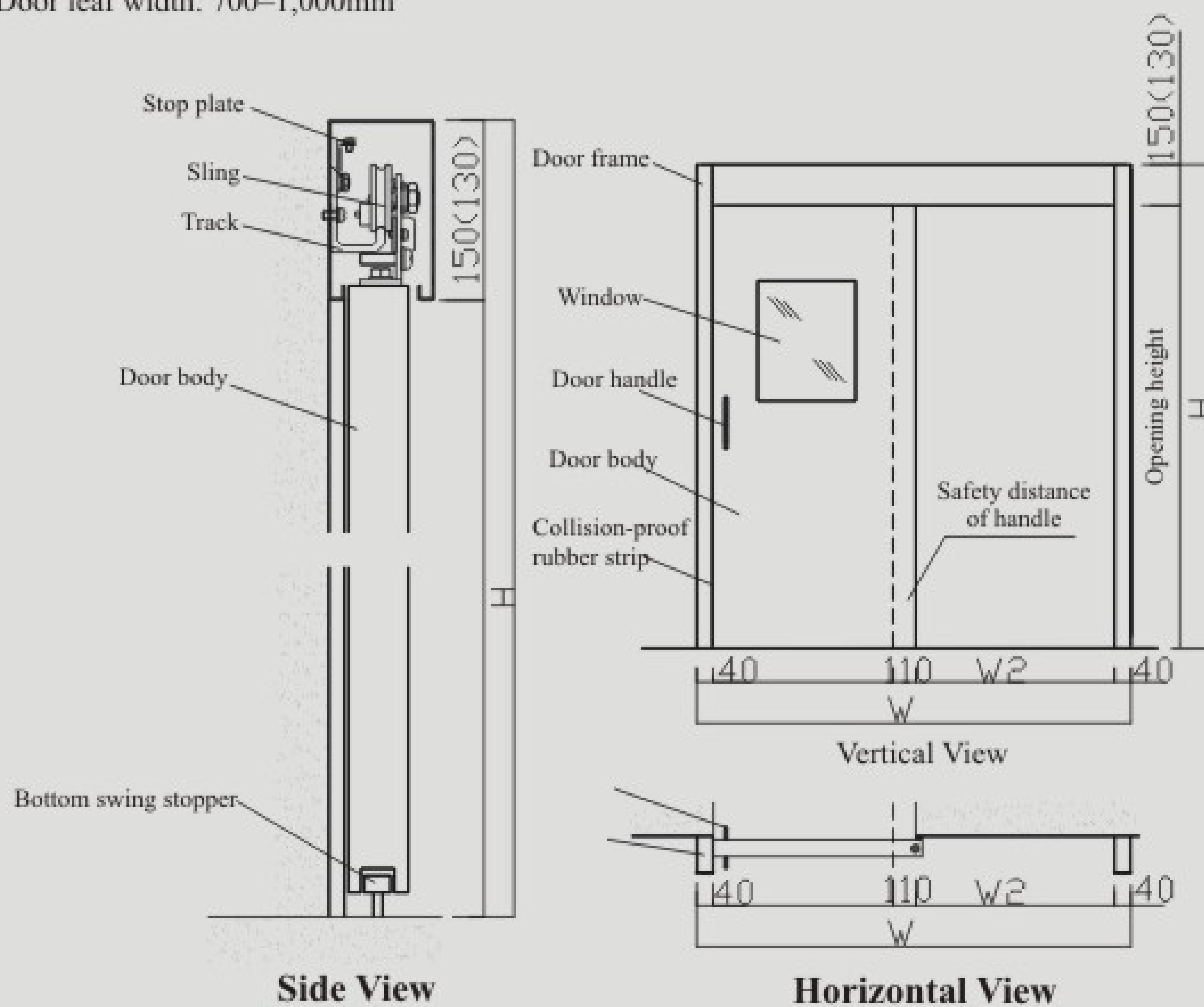


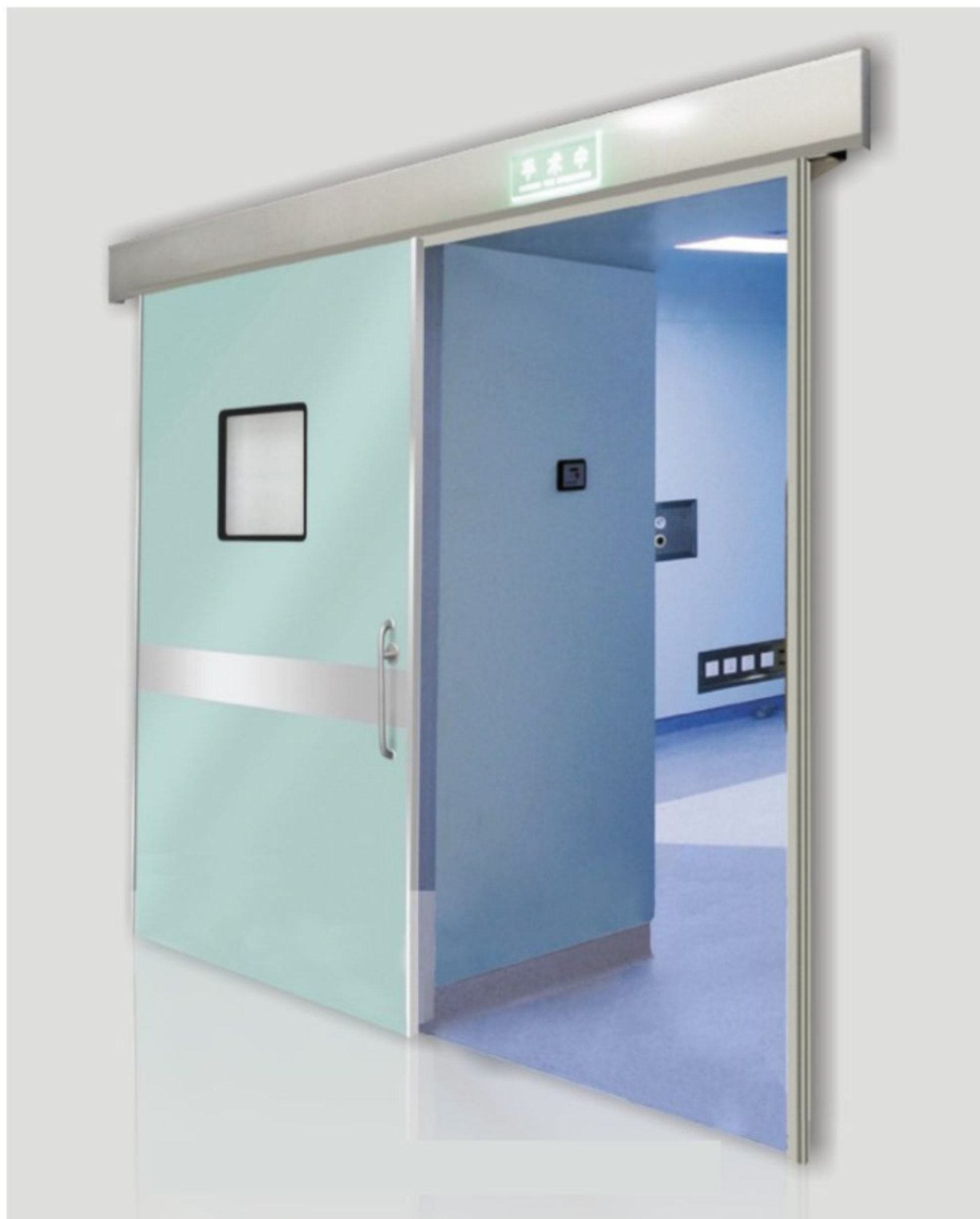
The single leaf is the most widely used type at present, and its installation is simplest and most convenient.

Such door is mainly applied in welfare houses, home kitchens, living rooms, offices, factories, restaurants, and hotels.

Door leaf weight: 20–50kg

Door leaf width: 700–1,000mm





The dynamic is made of aluminum alloy sections. The grooves at corresponding positions of guide pulley and rail and the groove at the bottom of movable door are coordinated with the small round columns: when the movable door leaf is closed and moves to the grooves, the door body will be compacted, depending on its own weight, with the rubber strips around it and on the sides, as well as the flat rubber gasket at the bottom, making itself properly fit door frame and floor and ensuring the sealing requirement for air-tight door. The entire structure is reasonable and reliable and available for use up to one million times.

#### Technical Parameters

Door leaf weight: Max. 150kg  
 Door leaf width: 1,070mm - 1,570mm  
 Clearance width: 2,350 - 3,350mm  
 Opening speed: 250mm - 550mm/s (adjustable)  
 Closing speed: 250mm - 450mm/s (adjustable)  
 Opening time: 1 - 10s (adjustable)  
 Opening force: >70N  
 Manual thrust: < 100N  
 Power consumption of entire unit: <150W  
 Power voltage: ~ 220V±10%, 50Hz



**External-hung Air-tight Door**



**Built-in Air-tight Door**