



**NOVA**  
SUPPLY

# LAMPARAS PARA CUARTOS LIMPIOS

(829) 216-9224

Plaza Roaldi, local 308, El Millon, D.N.

✉ [info@novasupplyrd.com](mailto:info@novasupplyrd.com)

🌐 [www.novasupplyrd.com](http://www.novasupplyrd.com)

# Content

MQ-Y Cleanroom LED Panel Series-----	14
MQ-Y LED Panel Series-----	19
MX-Y Cleanroom LED light-ceiling mounted-----	21
MQ-Y Cleanroom LED light-bottom openable-----	23
MQ-Y Cleanroom LED light-top openable-----	26
MX-Y LED teardrop light and light fittings-----	30
MX-Y LED tri-proof light Series-----	32
SD Explosion proof LED light-----	34



# MQ-Y

## CLEANROOM LED PANEL SERIES

### Cleanroom led panel requirements:

1. Well sealed, smooth surface, dust-proof and easy clean, does not affect airflow distribution.
2. Conform to low voltage electrical safety and EMC requirements.
3. Comply with photobiosafety requirements, no blue-ray hazard and photobiocontamination.
4. Energy efficient, soft light, even light distribution, flicker free, anti-glare.

### Features:

1. High lumen efficacy with 100lm/w
2. Edgelit 120 degree
3. White aluminum alloy or stainless steel frame finishing
4. PMMA light guide plate
5. Non-dimmable, 0-10V dimmable or DALI dimmable for option
6. Ceiling mounted or recessed available
7. Waterproof and dustproof: IP65, IP54, IP20 approval
8. Low light decay, flicker free and anti-glare, efficient heat conduction, no blue-ray hazards
9. Lifetime: 30,000 hours and 2 years warranty

### Application:

Applicable to cleanroom workshop of pharmaceutical, medical industries, biological laboratory, hospital operating room, cosmetics, food-processing, precision machinery, fine chemical industries, semiconductor and integrated circuit production.

Model	Dimension (LxWxH)mm	Power (W)	Input Voltage (V)	PF	Lumen (lm)	CRI (Ra)	CCT(K)	Beam
MQ-Y14/SD05PA, 05PB, 05PC	300×300×12	14	100-277	>0.95	>1300	>80	3000-6500	4014
MQ-Y20/SD05PA, 05PB, 05PC	600×280×12	20	100-277	>0.95	>1800	>80	3000-6500	4014
MQ-Y24/SD05PA, 05PB, 05PC	600×280×12	24	100-277	>0.95	>2250	>80	3000-6500	4014
MQ-Y30/SD05PA, 05PB, 05PC	900×280×12	30	100-277	>0.95	>2700	>80	3000-6500	4014
MQ-Y42/SD05PA, 05PB, 05PC	600×600×12	42	100-277	>0.95	>3800	>80	3000-6500	4014
MQ-Y42/SD05PA, 05PB, 05PC	1200×280×12	42	100-277	>0.95	>3800	>80	3000-6500	4014
MQ-Y48/SD05PA, 05PB, 05PC	1200×280×12	48	100-277	>0.95	>4500	>80	3000-6500	4014

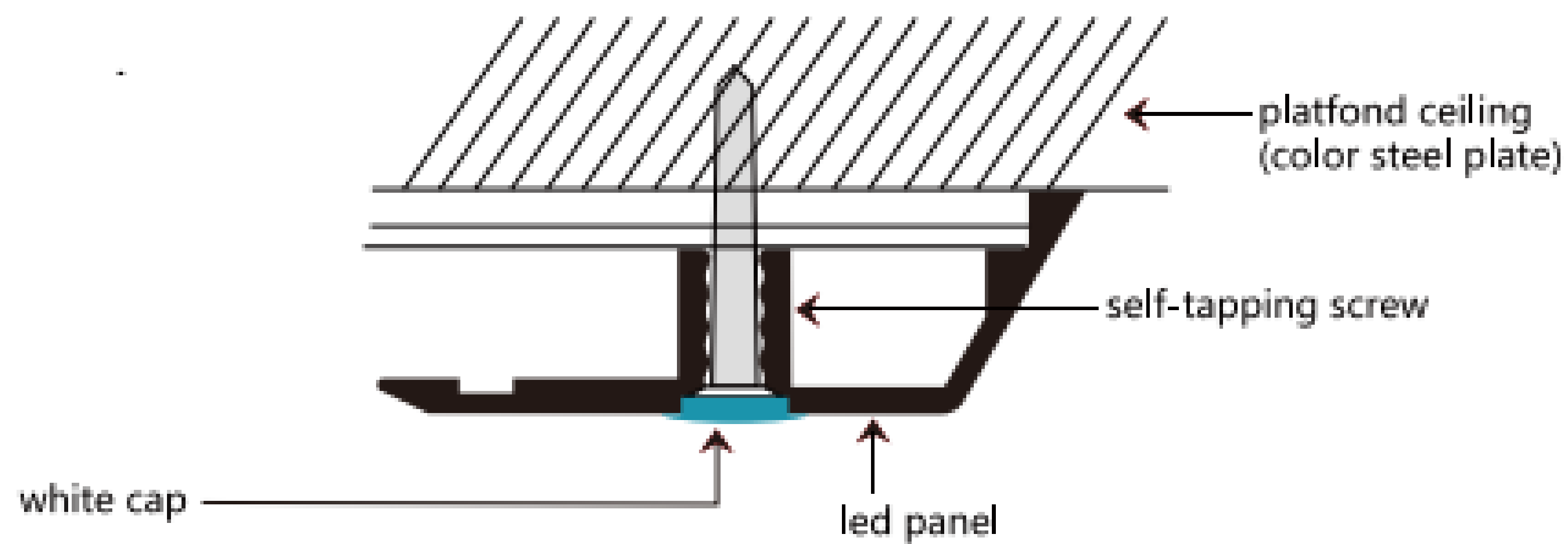


## CLEANROOM LIGHTING SYSTEM

Screw install: SD05PA Bevel/straight edge aluminum alloy frame



### Install Notes:

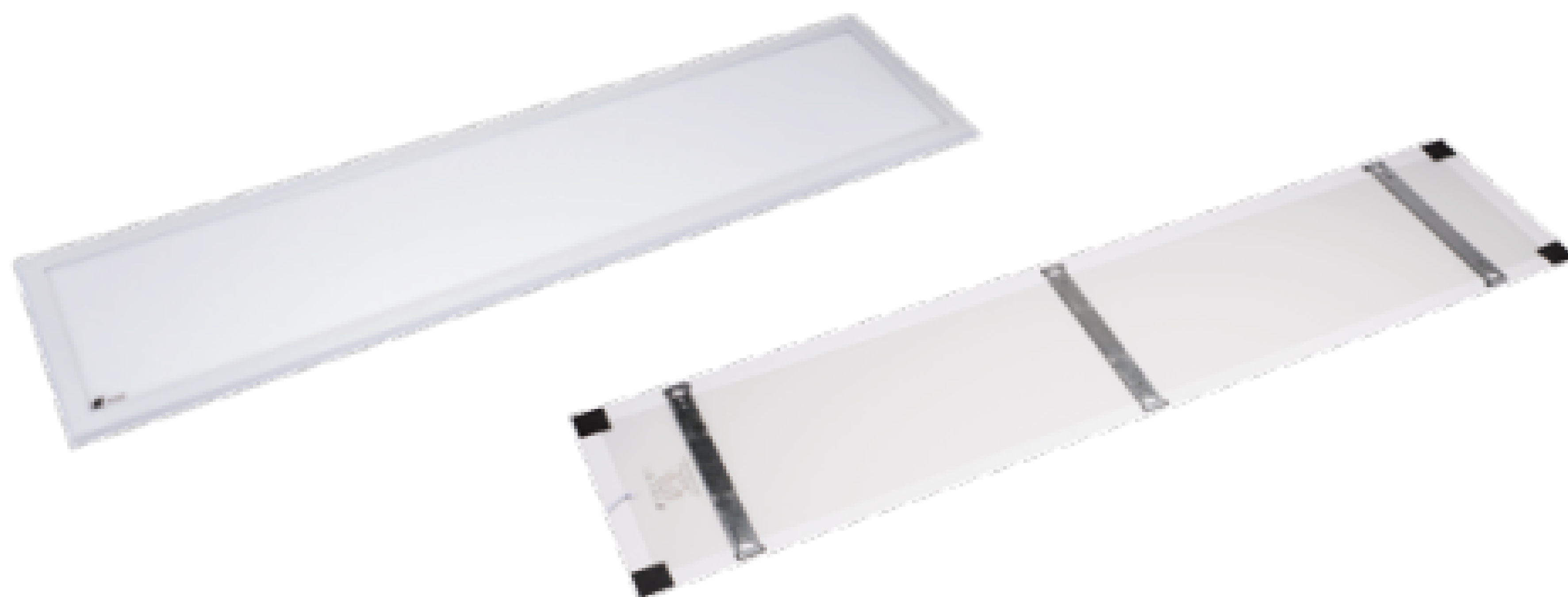


### Notes:

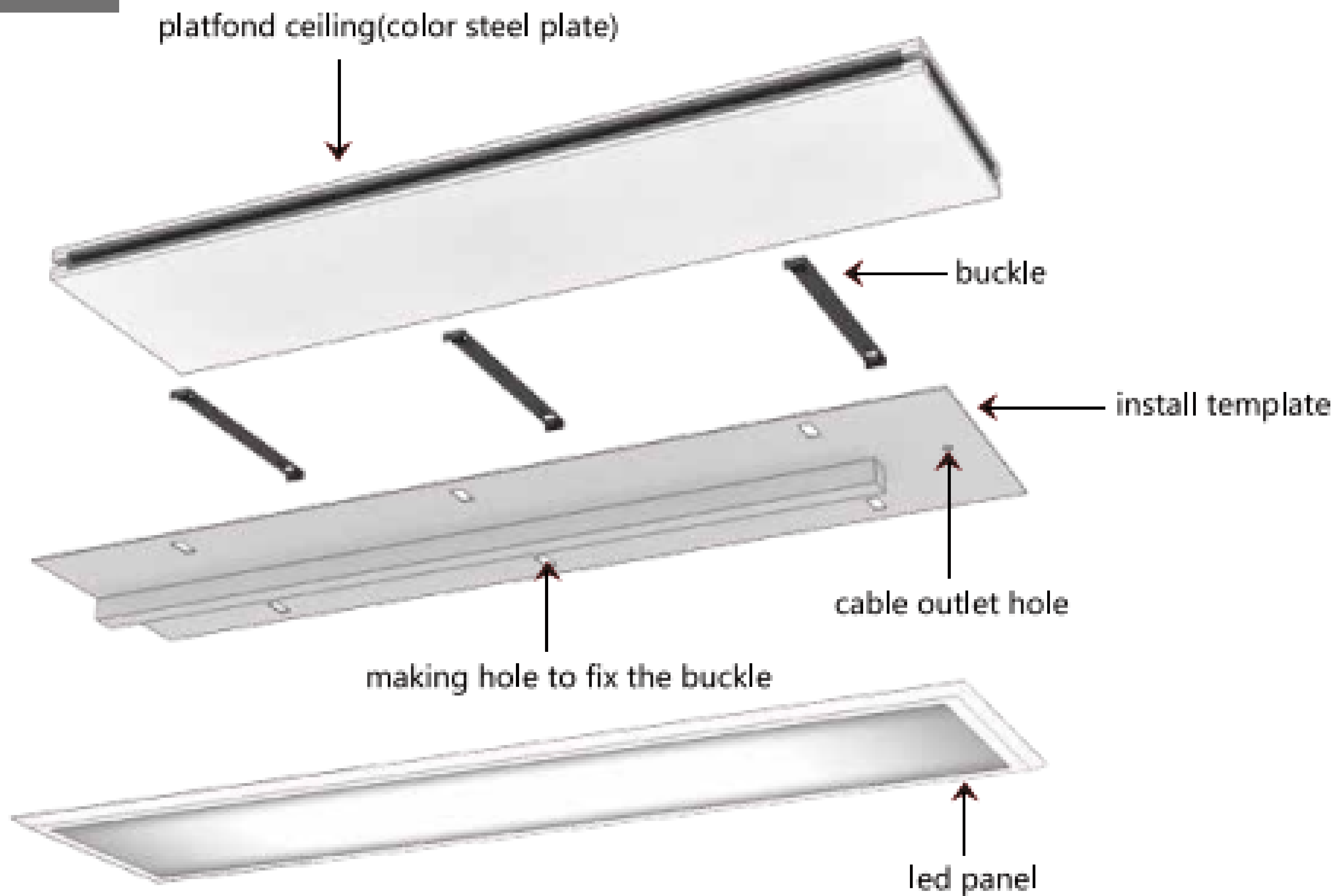
6063 aluminum alloy frame: bevel/straight-edge, electrostatic coating integral forming, easy install by screw fixed, dust-proof plastic cap. Emergency: 90mins/180mins for your option.



Buckle install: SD05PB Bevel/straight edge aluminum alloy/stainless steel frame



## Install guidance:



## Notes:

6063 aluminum alloy frame: bevel/straight-edge, or stainless steel frame: straight-edge, easy installation by bracket. Emergency: 90mins/180mins for your option.

## Install Notes:

1. According to the position shown in the ceiling and lighting-installation corresponding position to make a hole for power driver.
2. Place the mounting bracket strips up to the fixing template. After using the magnet or hand to fix the template at the position of the ceiling-mounted fixture, use a flat tapping screw to lock the bracket strip and then remove the template.
3. Make the terminal female of the panel going through a pre-opened outlet hole in the ceiling.
4. Push the snap hole on the back of the panel upwards into the bracket buckle and hear the "click" sound.
5. After confirming that the lamps is fastened and locked, and making the lamps connection wire through the ceiling hole, and then connect the terminal female of lamps and the male of led driver DC output wire, then turn on the electricity.
6. If it needs to be disassembled, use a flat-blade screwdriver to slightly insert (arrow indication area) the gap between the lamp and the ceiling, and use slight force to remove it from ceiling.

## Precautions:

1. Each panel light is always equipped with one dedicated LED driver. Cannot use other types of power supply.
2. The power supply must be cut off before installation as well as off ballast, otherwise it may cause a safety accident.
3. The product must be installed by a professional in accordance with this installation instruction, otherwise it may cause damage to the product.
4. Non-professionals must not disassemble power supplies and light fixture.
5. Make sure the wiring is correct before power is available.

Screw, buckle install: SD05PC (colorful led panel)



#### Notes:

Full-color LED panel, 6063 aluminum alloy frame: bevel/straight edge, stainless steel frame: straight edge for optional. Screw/bracket fixed for installation.

Optional color: red/yellow/blue.

#### Application:

Suitable for semiconductors, photosensitive materials and chemical reagent production workshop with special requirement for light beam. stable spectral wavelength and no harm of UV and blue ray.

Emergency: 90mins/180mins for your option.



# MQ-Y

## LED PANEL SERIES

Model	Dimension (LxWxH)mm	Power (W)	Input Voltage (V)	PF	Lumen (lm)	CRI (Ra)	CCT(K)	Bead	Install
MQ-Y15/SD05PD	300x300x15	15	100-277	> 0.90	1260	> 80	3000-6500	4014	AL Buckle install Edge-lit
MQ-Y20/SD05PD	600x300x15	20	100-277	> 0.90	1400	> 80	3000-6500	4014	
MQ-Y40/SD05PD	600x600x15	40	100-277	> 0.90	2800	> 80	3000-6500	4014	
MQ-Y40/SD05PD	1200x300x15	40	100-277	> 0.90	2800	> 80	3000-6500	4014	
MQ-Y72/SD05PD	1200x600x15	72	100-277	> 0.90	5000	> 80	3000-6500	4014	
MQ-Y16/SD05PE	300x300x30	16	100-277	> 0.90	1280	> 80	3000-6500	2835	AL Buckle install Back-lit
MQ-Y24/SD05PE	600x300x30	24	100-277	> 0.90	1920	> 80	3000-6500	2835	
MQ-Y36/SD05PE	600x600x30	36	100-277	> 0.90	2880	> 80	3000-6500	2835	
MQ-Y36/SD05PE	1200x300x30	36	100-277	> 0.90	2880	> 80	3000-6500	2835	
MQ-Y72/SD05PE	1200x600x30	72	100-277	> 0.90	5760	> 80	3000-6500	2835	
MQ-Y16/SD05PF	295x295x30	16	100-277	> 0.90	1280	> 80	3000-6500	2835	Light steel Keel install Back-lit
MQ-Y24/SD05PF	595x295x30	24	100-277	> 0.90	1920	> 80	3000-6500	2835	
MQ-Y36/SD05PF	595x595x30	36	100-277	> 0.90	2880	> 80	3000-6500	2835	
MQ-Y36/SD05PF	1195x295x30	36	100-277	> 0.90	2880	> 80	3000-6500	2835	
MQ-Y72/SD05PF	1195x595x30	72	100-277	> 0.90	5760	> 80	3000-6500	2835	

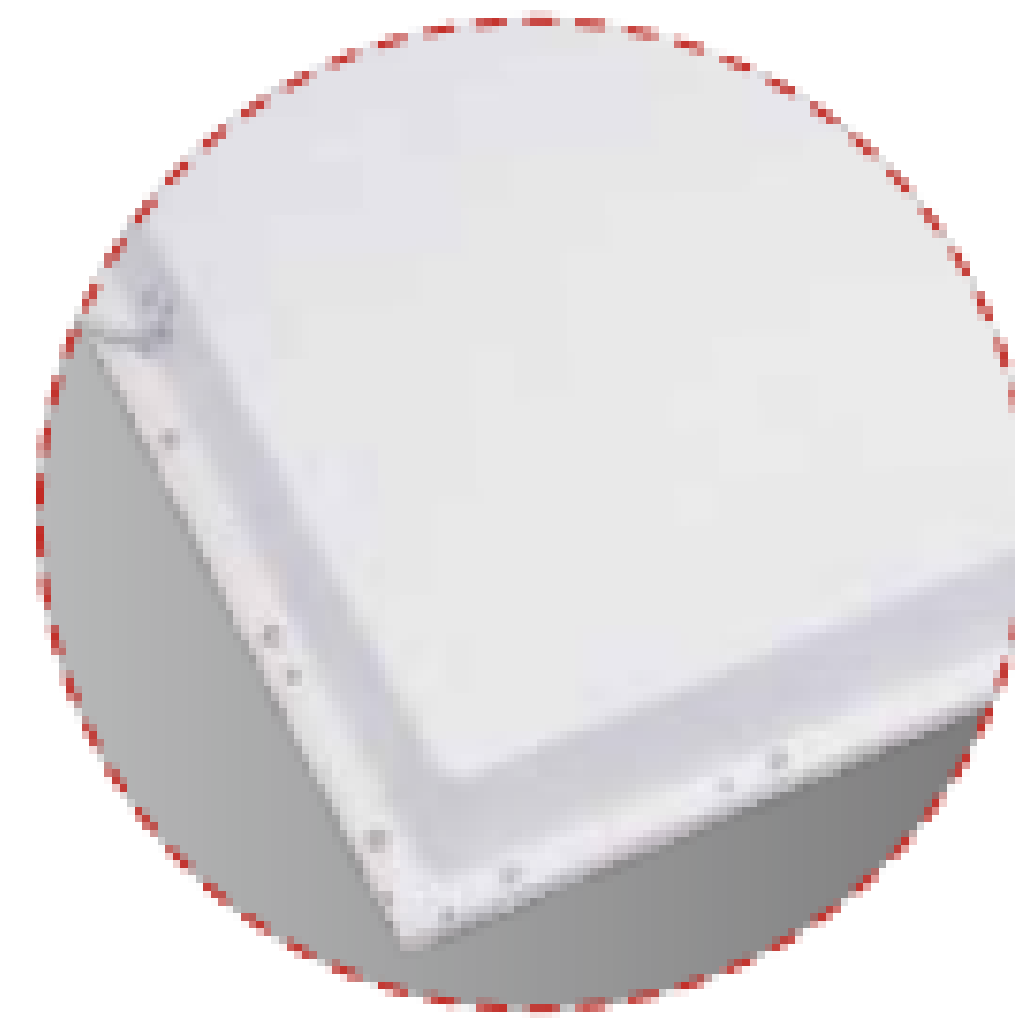


AL Buckle, light steel keel install: SD05PD、E、F

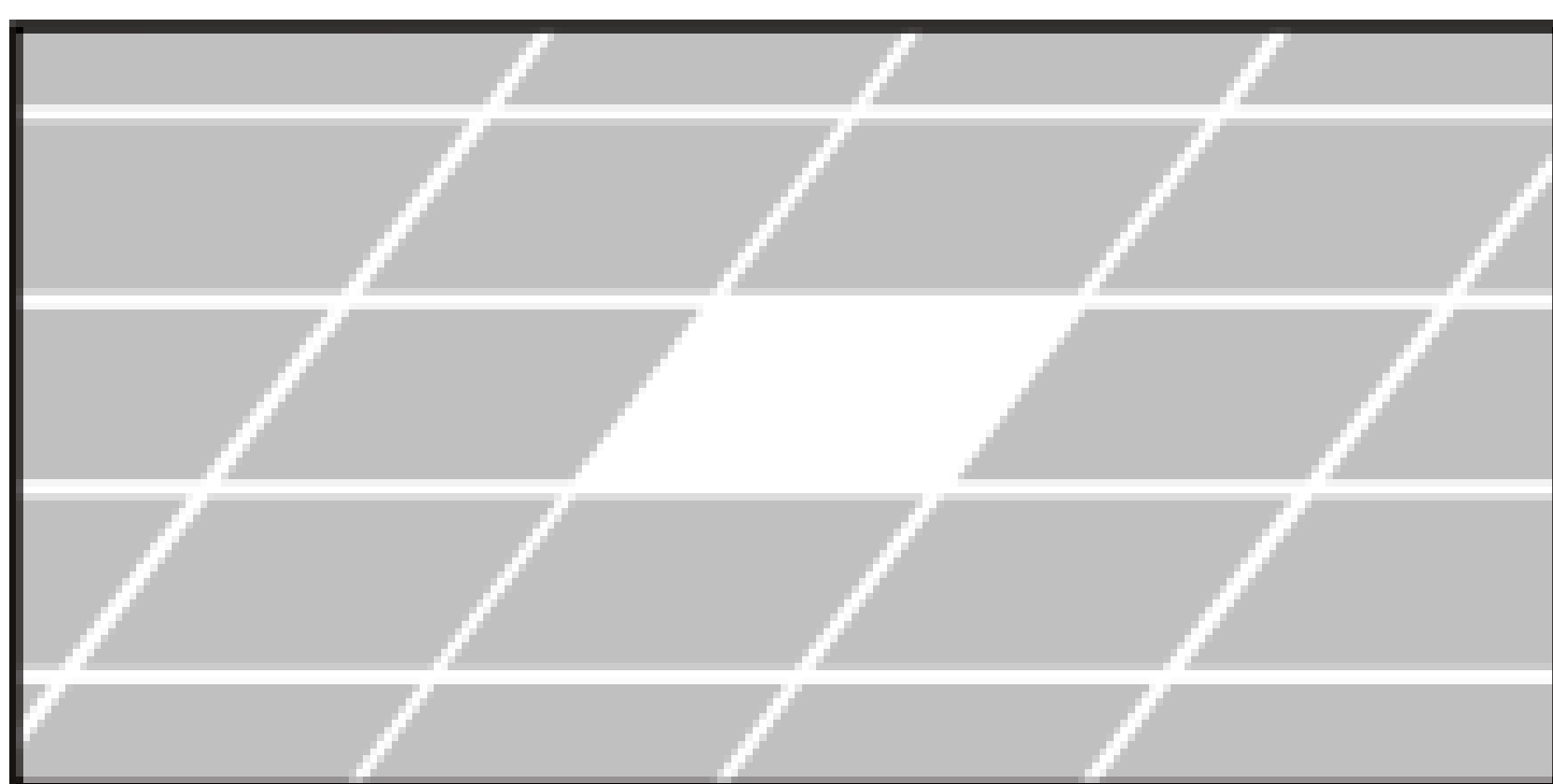
Edge-lit



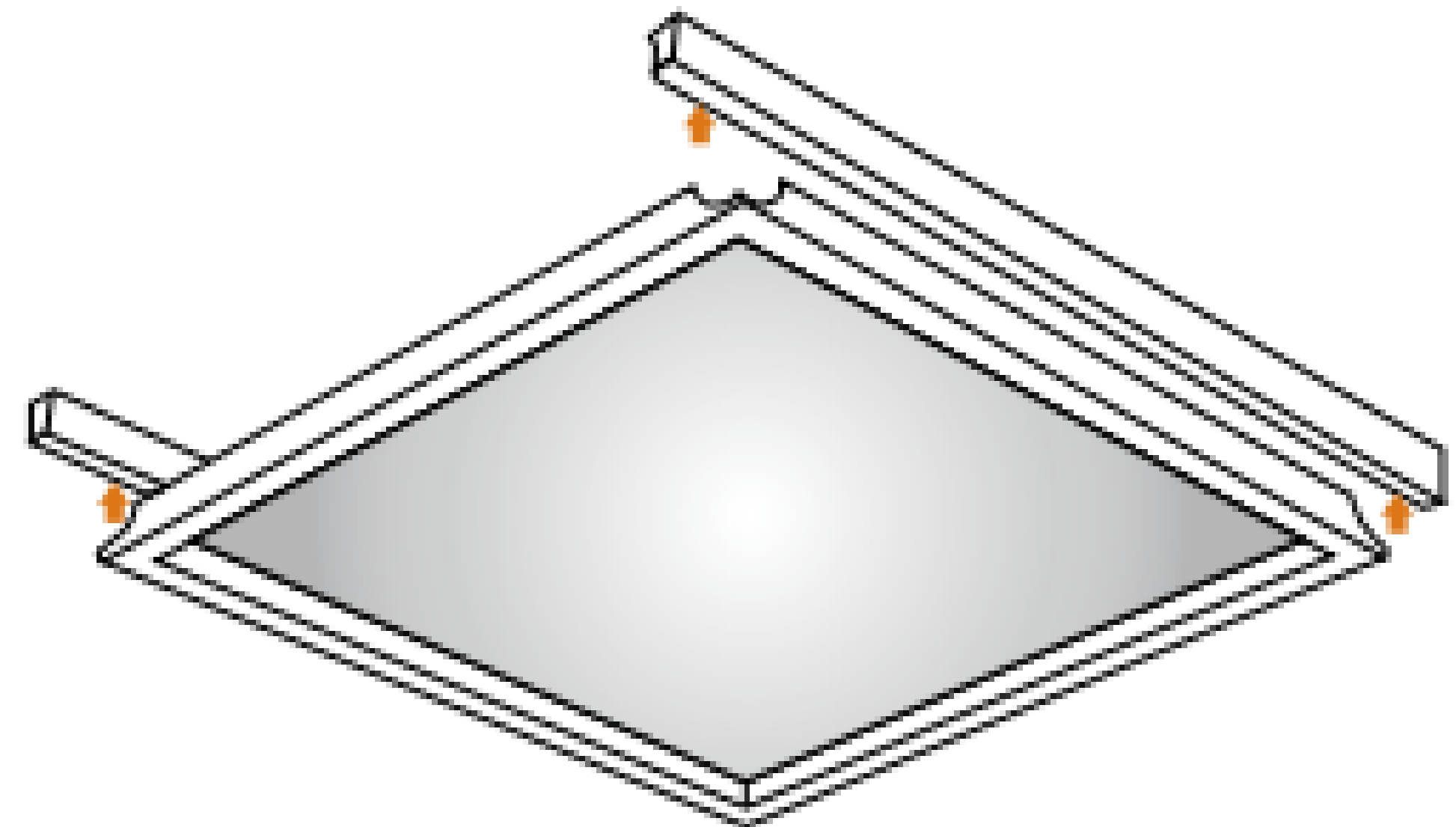
Back-lit



Install image:



Install guidance:



Notes:

SD05PD, E, F: install easily, convenient and simple. Beautiful appearance, high efficiency and energy saving.

Usage: suitable for office lighting in clean area and normal area lighting.

Emergency: 90mins/180mins for your option.

# MX-Y

## CLEANROOM LED LIGHT—CEILING MOUNTED

### Features:

1. Aluminum alloy or stainless steel finishing, imported nano film aluminum reflector and transparent PET diffuser
2. High lumen, effective reflection, well sealed, anti-interference, dust proof and easy clean
3. Nice appearance, anti-corrosion stainless steel frame

### Application:

Applicable to cleanroom workshop of pharmaceutical, medical industries, biological laboratory, hospital operating room, cosmetics, food-processing, precision machinery, fine chemical industries, semiconductor and integrated circuit production.

Model	Power (W)	Input Voltage (V)	Frequency (Hz)	CCT(K)	Dimension(mm)
					(LxHxW)
MX-Y9x3/SD06、07	9Wx3	180-240	50/60	6000-6500	710 x 298 x 65
MX-Y9x2/SD06、07	9Wx2	180-240	50/60	6000-6500	710 x 225 x 65
MX-Y9x1/SD06、07	9Wx1	180-240	50/60	6000-6500	710 x 225 x 65
MX-Y14x2/SD06、07	14Wx2	180-240	50/60	6000-6500	1015 x 225 x 65
MX-Y14x1/SD06、07	14Wx1	180-240	50/60	6000-6500	1015 x 225 x 65
MX-Y18x3/SD06、07	18Wx3	180-240	50/60	6000-6500	1317 x 298 x 65
MX-Y18x2/SD06、07	18Wx2	180-240	50/60	6000-6500	1317 x 225 x 65
MX-Y18x1/SD06、07	18Wx1	180-240	50/60	6000-6500	1317 x 225 x 65



CLEANROOM LED LIGHT-CEILING MOUNTED:

SD06 Bevel edge stainless steel frame



SD07 Bevel edge cold steel white frame



# MQ-Y

## CLEANROOM LED LIGHT-BOTTOM OPENABLE

**Features:**

1. Ceiling recessed fixed, bottom openable, and be equipped with aluminum alloy or stainless steel frame, imported nano film aluminum reflector and transparent floating or toughened glass/PMMA/PS diffuser
2. High lumen >90%, good reflection, nice appearance, well sealed, anti-interference, dust proof and easy clean
3. IP65/IP54/IP20 for option
4. Led beads and led tubes for option, and emergency with 90 minutes or 180 minutes for option
5. Back-lit 180 degree
6. Non-dimmable/0-10V dimmable/DALI dimmable for option, flicker free and anti-glare
7. Efficiency>85lm/w

**Application:**

Applicable to cleanroom workshop of pharmaceutical, medical industries, biological laboratory, hospital operating room, cosmetics, food-processing, precision machinery, fine chemical industries, semiconductor and integrated circuit production.

Model	Power (W)	Input Voltage (V)	Frequency (Hz)	CCT(K)	Dimension(mm)	Cut-out(mm)	Note
					LxWxH	LxW	
MQ-Y9x1/SD10-A, 12-A	9Wx1	180-240	50/60	6000-6500	655 x 188 x 90	632 x 165	LED tube
MQ-Y9x2/SD10-A, 12-A	9Wx2	180-240	50/60	6000-6500	655 x 278 x 75	632 x 255	
MQ-Y9x3/SD10-A, 12-A	9Wx3	180-240	50/60	6000-6500	655 x 328 x 75	632 x 305	
MQ-Y9x3/SD10-A, 12-A	9Wx3	180-240	50/60	6000-6500	655 x 655 x 75	632 x 632	
MQ-Y9x3/SD10-A, 12-A	9Wx3	180-240	50/60	6000-6500	598 x 598 x 93	575 x 575	
MQ-Y14x1/SD10-A, 12-A	14Wx1	180-240	50/60	6000-6500	960 x 188 x 90	937 x 165	
MQ-Y14x2/SD10-A, 12-A	14Wx2	180-240	50/60	6000-6500	960 x 278 x 75	937 x 255	
MQ-Y14x3/SD10-A, 12-A	14Wx3	180-240	50/60	6000-6500	960 x 328 x 75	937 x 305	
MQ-Y18x1/SD10-A, 12-A	18Wx1	180-240	50/60	6000-6500	1265x 188 x 90	1242x165	
MQ-Y18x2/SD10-A, 12-A	18Wx2	180-240	50/60	6000-6500	1265x 278 x 75	1242x255	
MQ-Y18x3/SD10-A, 12-A	18Wx3	180-240	50/60	6000-6500	1265x 328 x 75	1242x305	
MQ-Y18x3/SD10-A, 12-A	18Wx3	180-240	50/60	6000-6500	1198x 598 x 93	1175x575	

Model	Power (W)	Input Voltage (V)	PF	CCT(K)	Dimension(mm)	Cut-out(mm)	LED Bead
					LxWxH	LxW	SMD
MQ-Y20/SD10-B, 12-B	20	100-277	>0.95	3000-6500	628 x 278 x 85	605 x 255	2835
MQ-Y30/SD10-B, 12-B	30	100-277	>0.95	3000-6500	928 x 278 x 85	905 x 255	2835
MQ-Y42/SD10-B, 12-B	42	100-277	>0.95	3000-6500	1228 x 278 x 85	1205x 255	2835
MQ-Y42/SD10-B, 12-B	42	100-277	>0.95	3000-6500	628 x 628 x 85	605 x 605	2835
MQ-Y60/SD10-B, 12-B	60	100-277	>0.95	3000-6500	1228 x 328 x 85	1205x 305	2835



LED tube series:

SD10-A Aluminum alloy frame



SD12-A Stainless steel frame





# MX—Y

## CLEANROOM LED LIGHT—CEILING MOUNTED



### Features:

1. Aluminum alloy or stainless steel finishing, imported nano film aluminum reflector and transparent PET diffuser
2. High lumen, effective reflection, well sealed, anti-interference, dust proof and easy clean
3. Nice appearance, anti-corrosion stainless steel frame

### Application:

Applicable to cleanroom workshop of pharmaceutical, medical industries, biological laboratory, hospital operating room, cosmetics, food-processing, precision machinery, fine chemical industries, semiconductor and integrated circuit production.

Model	Power (W)	Input Voltage (V)	Frequency (Hz)	CCT(K)	Dimension(mm)
					(LxHxW)
MX-Y9x3/SD06, 07	9Wx3	180-240	50/60	6000-6500	710 x 298 x 65
MX-Y9x2/SD06, 07	9Wx2	180-240	50/60	6000-6500	710 x 225 x 65
MX-Y9x1/SD06, 07	9Wx1	180-240	50/60	6000-6500	710 x 225 x 65
MX-Y14x2/SD06, 07	14Wx2	180-240	50/60	6000-6500	1015 x 225 x 65
MX-Y14x1/SD06, 07	14Wx1	180-240	50/60	6000-6500	1015 x 225 x 65
MX-Y18x3/SD06, 07	18Wx3	180-240	50/60	6000-6500	1317 x 298 x 65
MX-Y18x2/SD06, 07	18Wx2	180-240	50/60	6000-6500	1317 x 225 x 65
MX-Y18x1/SD06, 07	18Wx1	180-240	50/60	6000-6500	1317 x 225 x 65



CLEANROOM LED LIGHT-CEILING MOUNTED:

SD06 Bevel edge stainless steel frame



SD07 Bevel edge cold steel white frame



# MQ-Y

## CLEANROOM LED LIGHT-BOTTOM OPENABLE

### Features:

1. Ceiling recessed fixed, bottom openable, and be equipped with aluminum alloy or stainless steel frame, imported nano film aluminum reflector and transparent floating or toughened glass/PMMA/PS diffuser
2. High lumen >90%, good reflection, nice appearance, well sealed, anti-interference, dust proof and easy clean
3. IP65/IP54/IP20 for option
4. Led beads and led tubes for option, and emergency with 90 minutes or 180 minutes for option
5. Back-lit 180 degree
6. Non-dimmable/0-10V dimmable/DALI dimmable for option, flicker free and anti-glare
7. Efficiency>85lm/w

### Application:

Applicable to cleanroom workshop of pharmaceutical, medical industries, biological laboratory, hospital operating room, cosmetics, food-processing, precision machinery, fine chemical industries, semiconductor and integrated circuit production.

Model	Power (W)	Input Voltage (V)	Frequency (Hz)	CCT(K)	Dimension(mm)		Note
					LxWxH	Cut-out(mm) LxW	
MQ-Y9x1/SD10-A, 12-A	9Wx1	180-240	50/60	6000-6500	655 x 188 x 90	632 x 165	LED tube
MQ-Y9x2/SD10-A, 12-A	9Wx2	180-240	50/60	6000-6500	655 x 278 x 75	632 x 255	
MQ-Y9x3/SD10-A, 12-A	9Wx3	180-240	50/60	6000-6500	655 x 328 x 75	632 x 305	
MQ-Y9x3/SD10-A, 12-A	9Wx3	180-240	50/60	6000-6500	655 x 655 x 75	632 x 632	
MQ-Y9x3/SD10-A, 12-A	9Wx3	180-240	50/60	6000-6500	598 x 598 x 93	575 x 575	
MQ-Y14x1/SD10-A, 12-A	14Wx1	180-240	50/60	6000-6500	960 x 188 x 90	937 x 165	
MQ-Y14x2/SD10-A, 12-A	14Wx2	180-240	50/60	6000-6500	960 x 278 x 75	937 x 255	
MQ-Y14x3/SD10-A, 12-A	14Wx3	180-240	50/60	6000-6500	960 x 328 x 75	937 x 305	
MQ-Y18x1/SD10-A, 12-A	18Wx1	180-240	50/60	6000-6500	1265x 188 x 90	1242x165	
MQ-Y18x2/SD10-A, 12-A	18Wx2	180-240	50/60	6000-6500	1265x 278 x 75	1242x255	
MQ-Y18x3/SD10-A, 12-A	18Wx3	180-240	50/60	6000-6500	1265x 328 x 75	1242x305	
MQ-Y18x3/SD10-A, 12-A	18Wx3	180-240	50/60	6000-6500	1198x 598 x 93	1175x575	

Model	Power (W)	Input Voltage (V)	PF	CCT(K)	Dimension(mm)		LED Bead
					LxWxH	Cut-out(mm) LxW	
MQ-Y20/SD10-B, 12-B	20	100-277	>0.95	3000-6500	628 x 278 x 85	605 x 255	2835
MQ-Y30/SD10-B, 12-B	30	100-277	>0.95	3000-6500	928 x 278 x 85	905 x 255	2835
MQ-Y42/SD10-B, 12-B	42	100-277	>0.95	3000-6500	1228 x 278 x 85	1205x 255	2835
MQ-Y42/SD10-B, 12-B	42	100-277	>0.95	3000-6500	628 x 628 x 85	605 x 605	2835
MQ-Y60/SD10-B, 12-B	60	100-277	>0.95	3000-6500	1228 x 328 x 85	1205x 305	2835





LED tube series:

SD10-A Aluminum alloy frame



SD12-A Stainless steel frame



# CLEANROOM LIGHTING SYSTEM

LED bead series:

SD10-B Aluminum alloy frame



SD12-B Stainless steel frame



# MQ-Y

## CLEANROOM LED LIGHT—TOP OPENABLE

### Features:

1. Ceiling recessed fixed, top openable, and be equipped with aluminum alloy or stainless steel frame, imported nano film aluminum reflector and transparent floating or toughened glass/PMMA/PS diffuser
2. High lumen >90%, good reflection, nice appearance, well sealed, anti-interference, dust proof and easy clean
3. IP65/IP54/IP20 for option
4. Led beads and led tubes for option, and emergency with 90 minutes or 180 minutes for option
5. Back-lit 180 degree
6. Non-dimmable/0-10V dimmable/DALI dimmable for option, flicker free and anti-glare
7. Efficiency>85lm/w

### Application:

Applicable to cleanroom workshop of pharmaceutical, medical industries, biological laboratory, hospital operating room, cosmetics, food-processing, precision machinery, fine chemical industries, semiconductor and integrated circuit production.

Model	Power (W)	Input Voltage (V)	Frequency (Hz)	CCT(K)	Dimension(mm)		Note
					LxWxH	LxW	
MQ-Y9x1/SD14T-A, 14S-A	9Wx1	180-240	50/60	6000-6500	681 x 190 x 102	656 x 165	LED tube
MQ-Y9x2/SD14T-A, 14S-A	9Wx2	180-240	50/60	6000-6500	681 x 280 x 102	656 x 255	
MQ-Y9x3/SD14T-A, 14S-A	9Wx3	180-240	50/60	6000-6500	681 x 330 x 102	656 x 305	
MQ-Y14x1/SD14T-A, 14S-A	14Wx1	180-240	50/60	6000-6500	986 x 190 x 102	961 x 165	
MQ-Y14x2/SD14T-A, 14S-A	14Wx2	180-240	50/60	6000-6500	986 x 280 x 102	961 x 255	
MQ-Y14x3/SD14T-A, 14S-A	14Wx3	180-240	50/60	6000-6500	986 x 330 x 102	961 x 305	
MQ-Y18x1/SD14T-A, 14S-A	18Wx1	180-240	50/60	6000-6500	1290 x 190 x 102	1265 x 165	
MQ-Y18x2/SD14T-A, 14S-A	18Wx2	180-240	50/60	6000-6500	1290 x 280 x 102	1265 x 255	
MQ-Y18x3/SD14T-A, 14S-A	18Wx3	180-240	50/60	6000-6500	1290 x 330 x 102	1265 x 305	

Model	Power (W)	Input Voltage (V)	PF	CCT(K)	Dimension(mm)		LED Bead
					LxWxH	LxW	SMD
MQ-Y20/SD14T-B, 14S-B	20	100-277	> 0.95	3000-6500	630 x 280 x 102	605 x 255	2835
MQ-Y30/SD14T-B, 14S-B	30	100-277	> 0.95	3000-6500	930 x 280 x 102	905 x 255	2835
MQ-Y42/SD14T-B, 14S-B	42	100-277	> 0.95	3000-6500	1230x 280 x 102	1205 x 255	2835
MQ-Y42/SD14T-B, 14S-B	42	100-277	> 0.95	3000-6500	630 x 630 x 102	605 x 605	2835
MQ-Y60/SD14T-B, 14S-B	60	100-277	> 0.95	3000-6500	1230x 330 x 102	1205 x 305	2835

26

LED tube series:

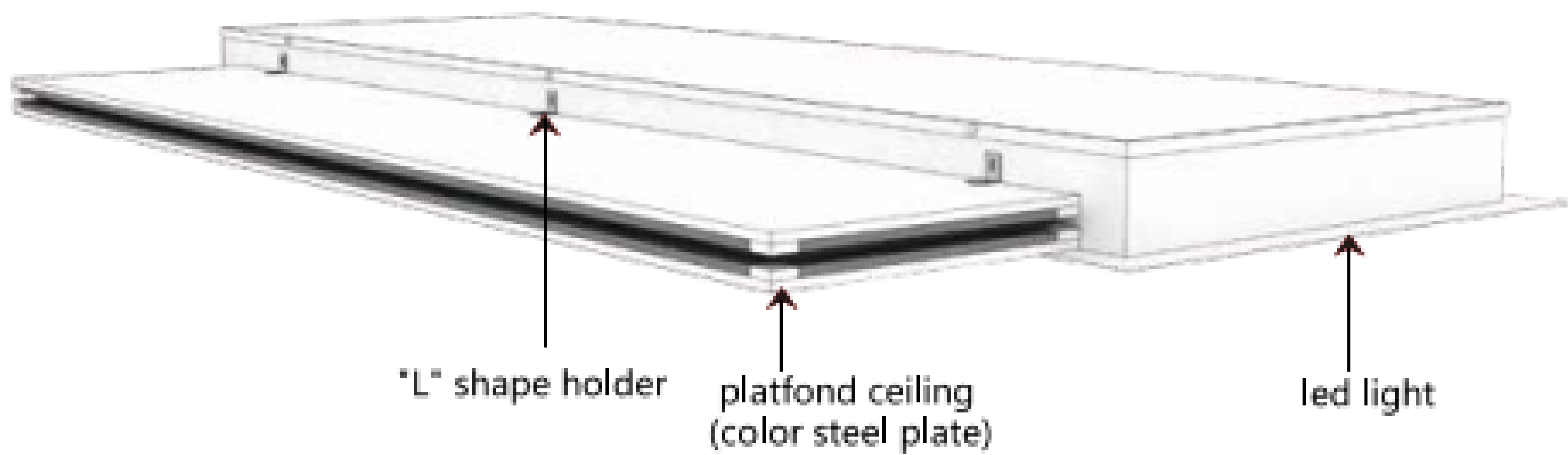
SD14T-A White cold steel frame



SD14S-A Stainless steel frame



Install guidance:





LED bead series:

SD14T-B White cold steel frame



SD145-B Stainless steel frame



Install guidance:

